



Jackhammer Trolley JHT



OPERATOR'S MANUAL






CONTENTS

| | |
|--|----|
| ABOUT THIS MANUAL | 3 |
| PRODUCT INFORMATION | 4 |
| - General Safety Instructions | 4 |
| - Safety Stickers | 4 |
| - Warranty | 6 |
| - Product Description and Specifications | 9 |
| INSTRUCTIONS FOR USE | 10 |
| - Fitting A Jackhammer | 11 |
| - Using the JHT | 14 |
| - Servicing the JHT | 15 |
| APPENDIX | 16 |
| A. BLOCK SETS BREAKDOWN | |
| B. HAZARD ASSESSMENT | |
| C. SALES AND SPARES | |

ABOUT THIS MANUAL

This manual is designed to provide the user with the information required to operate and maintain the Jackhammer Trolley correctly and safely.

Key Terms

| | |
|--|--|
|  READ CAREFULLY | READ CAREFULLY – refers to important information that should be paid careful attention. |
|  CAUTION | CAUTION - indicates a situation that may cause injury or damage to the machine if the user does not follow the instructions. |
|  WARNING | WARNING – indicates a situation that may cause injury or death if the user does not follow the instructions correctly. |
|  DANGER | DANGER – indicates a situation that will cause injury or death if the user does not follow the instructions as written. |
|  PROHIBITED | PROHIBITED – identifies actions that should never be carried out by any one interacting with the machine. |


Disclaimer


MAKINEX, and its affiliates, takes no responsibility for any damage, injury or death resulting from the incorrect or unsafe use of this machine. Use of this machine should be undertaken by competent persons only. It is the operators' responsibility to ensure that the following safety procedures are followed.


PRODUCT INFORMATION


General Safety Instructions

Throughout this document there are several safety warnings. The user should read through this complete document before using the Jackhammer Trolley.

| | |
|--|--|
|  READ CAREFULLY | Ensure you read all information contained in this manual before using the Jackhammer Trolley |
|--|--|

| | |
|--|--|
|  READ CAREFULLY | Ensure you read the manual and safety instructions for the Jackhammer and other components that are part of this unit. See Appendix for more information |
|--|--|

| | |
|--|---|
|  DANGER | Always wear the recommended personal protective equipment |
|--|---|

| | |
|--|--|
|  PROHIBITED | Never expose the machine to moisture or rain |
|--|--|

Safety Stickers

There is a safety and information panel provided on the front of the Jackhammer Trolley to alert the user of potential safety risks/hazards. Please read and adhere to all instructions on the Unit.



PROHIBITED

It is forbidden to remove any safety or instructional stickers or panels from the Jackhammer Trolley



**READ
CAREFULLY**

Read all safety and instructional stickers displayed on each component of the Jackhammer Trolley

Boels

RENTAL

Jackhammer Trolley - JHT

SAFETY OPERATING INSTRUCTIONS

- Ensure jackhammer is switched off before plugging in or disconnecting from mains power
- Use a dedicated mains power supply with extension lead not exceeding 10 metres
- Use caution when changing attachments
- Take regular breaks to avoid personal injury, stress, strain and fatigue

makinex.com

Designed in Australia | Made in China
US Patent No.s: D668420 & 8240682



Warranty

WARRANTY: (Ex-factory/ Reseller premise)

MAKINEX warrants to the original purchaser:

- MAKINEX provides a Limited One Year Warranty that applies to Jackhammer Trolley only (this excludes the Jackhammer and any other attachments and consumables).
- Any unauthorized repair or part replacement will void warranty. Refer to manufacturer for all repairs.
- Regular service must be carried out by competent persons only; failure to comply will void warranty.
- Jackhammer (where purchased) is to be covered by original manufacturer. Please refer to their manual for more information.

Transportation charges on product submitted for repair or replacement under this warranty are the sole responsibility of the purchaser. This warranty only applies to the original purchaser and is not transferable.

Warranty Exclusions:

- Warranty does not cover wear and tear, breakage, misuse or theft.
- Warranty does not cover consumables (e.g. blades). Warranty does not cover attachments (e.g. Shanks and Tile Smasher heads).
- Warranty will not apply to parts and/or labour if this Jackhammer Trolley is deemed to be misused, neglected, installed improperly or set up incorrectly.
- Cosmetic defects such as decals and coating.
- Failures due to acts of God and other force majeure events beyond the manufacturer's control.
- Problems caused by parts that are not original MAKINEX parts.

Responsibility of the consumer under this Limited Warranty:

- Strict adherence to the maintenance checks and schedule with proof of scheduled maintenance service required by an authorised agent or qualified mechanic.
- Maintenance services are not covered under warranty.
- It is the consumer's responsibility to deliver the machine in question to our service premises or to the premises of our appointed agent at the consumer's expense for replacement or repair as applicable.

Claim Procedure:

- Contact MAKINEX by phone or email informing us of your machines problem or defect.
- Once the extent of the claim has been assessed, we retain the right to compensate the consumer for such defect, or repair (parts & labour), or replace the machine under warranty.
- All warranties will be carried out by MAKINEX authorised staff or appointed agents at a premises to be determined by the Manufacturer.
- It is the responsibility (and cost) of MAKINEX or our appointed agent to return the machine to be repaired or replaced under warranty to the consumer- this is valid for domestic territories only (e.g. machine purchased in USA will repaired/replaced under warranty and returned to the USA consumer. Machine purchased in Australia will be repaired/ or replaced under warranty and returned to the Australian consumer etc.)
- Where the specific warranty component (e.g. Jackhammer) is under a Manufacturer's warranty other than MAKINEX (e.g. Bosch, Hitachi, Makita, Hilti etc), the consumer can either contact MAKINEX or the applicable Manufacturer for repairs where such warranty was registered with that manufacturer at purchase.
- Warranty calls will only be carried out by our representatives and not via client's choice of repairer. We will not accept back charges for any work not carried out by our representatives, or

accept any charges due to equipment being un-operational for any reason even during its warranty period.

Product Description and Specifications

The Jackhammer Trolley enables your demolition hammer to lift most types of Ceramic Floor Tiles, Vinyl and Cork with less effort.

With a wide range of angle the Jackhammer Trolley adapts to any situation with a maximum leverage.

Features

- Durable zinc coated frame
- Easy Angle adjustment
- Will suit most 16kg (35lbs) hammers
- Anti-vibration ergonomic design
- Large wheels

TABLE 2: Product Specifications

| | |
|------------------------------------|----------------------------|
| HEIGHT WHEN RAISED | 1100mm/43.3" |
| HEIGHT WHEN LOWERED | 600mm/23.6" |
| OVERALL WIDTH | 510mm/20" |
| OVERALL LENGTH | 1100mm/43.3" |
| ANGLE OF ADJUSTMENT | 73° (93° closed, 20° open) |
| WEIGHT (WITHOUT JACKHAMMER) | 28kg/62lb |

INSTRUCTIONS FOR USE



Do not operate the Jackhammer without wearing the appropriate personal protective equipment and assessing the surrounding area for hazards.

Fitting a Jackhammer

Tools Required

- 17mm spanner



- 2mm allen key



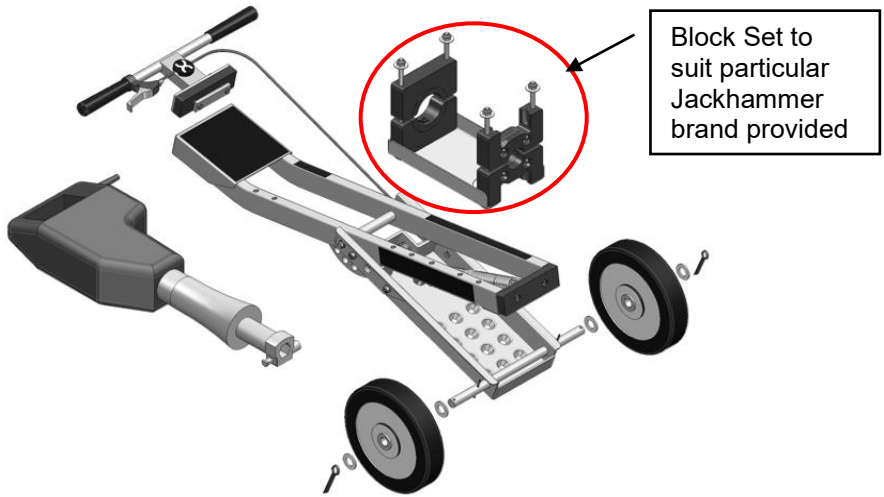
- 19mm spanner



- Pliers

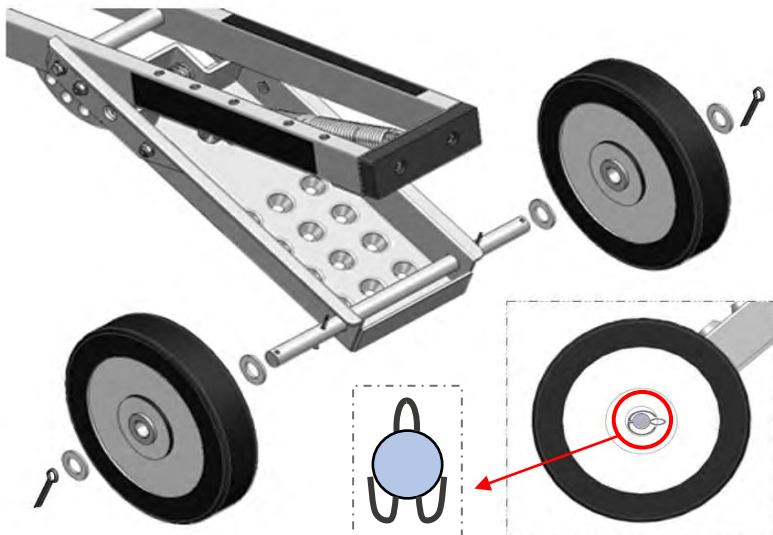


Product Breakdown

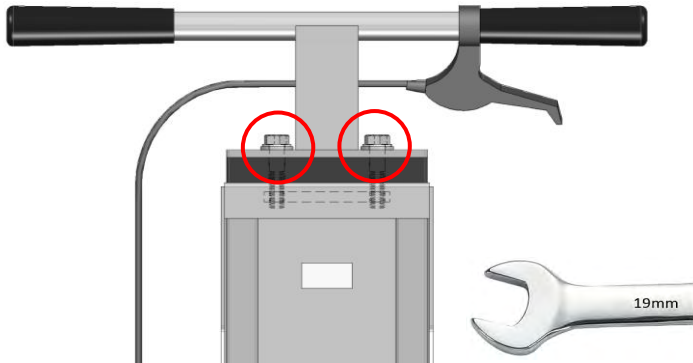


Jackhammer sold separately

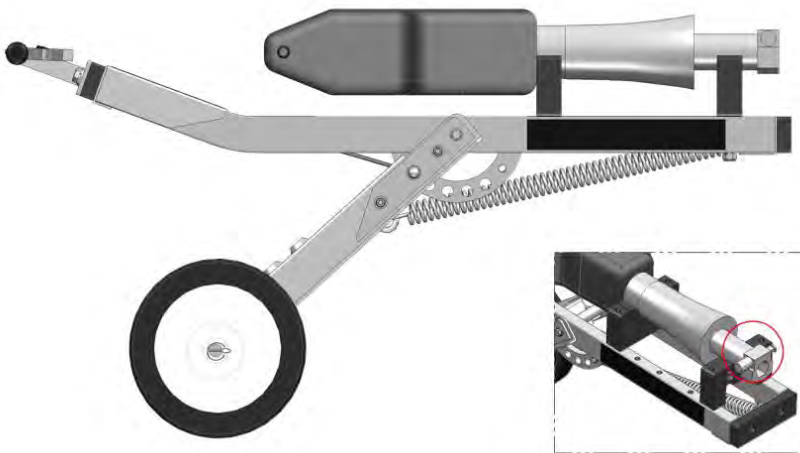
Step 1:



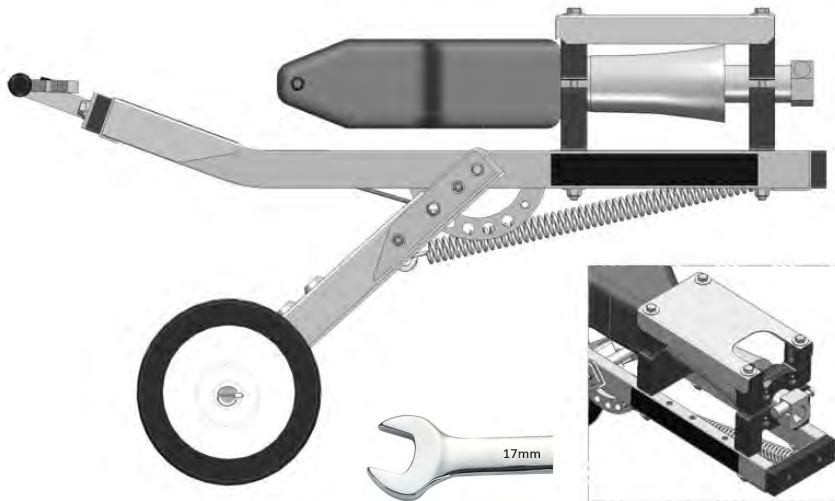
Step 2:



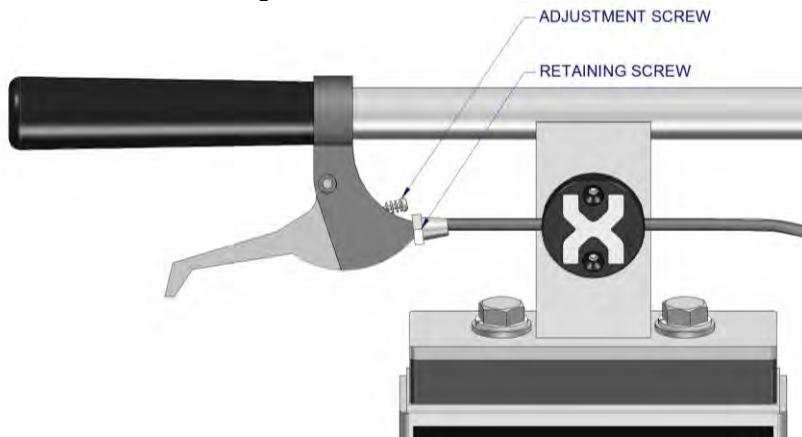
Step 3:



Step 4:



Brake Lever Adjustment



Instructions

1. Ensure cable is not kinked anywhere along its length

2. Tighten retaining screw with pliers
3. Tighten adjustment screw with **2mm allen** key to remove slack from the cable. Note that some slack in the mechanism is normal.

USING THE JHT



Ensure the machine is switched OFF before plugging in



Ensure Chisel or Tile Smasher is correctly inserted and locked in position before use

1. Ensure Hammer/Breaker is secure and cannot rotate.
2. Position and angle before commencing work.

To change angle - **lift handles to take weight off lock mechanism** then pull the brake lever to disengage the lock mechanism. Lift or lower the height of the handles to achieve the desired angle of jackhammer then release brake lever to reengage the lock mechanism.

3. Never allow Hammer/Breaker ormoil to overheat.
4. Switch on Hammer/Breaker with trigger
5. Refer to Hammer/Breaker Instruction Manual for more detail on operation and service



Always switch off machine before unplugging

Servicing the Hammer Trolley

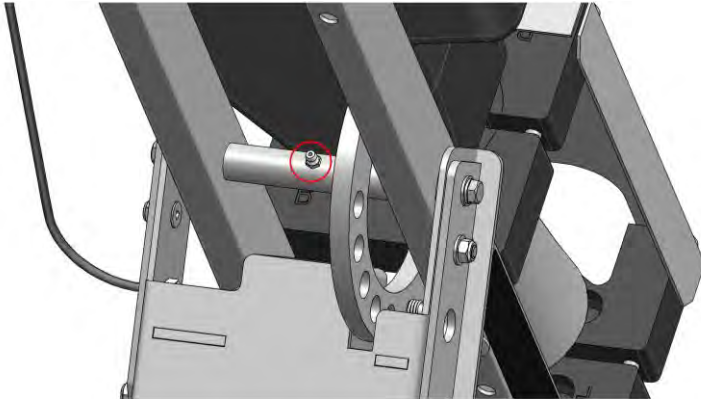
Every Use:

- Inspect frame for damage

- Ensure bolts are secure

Every 3 Months:

- Adjust brake lever to eliminate free-play
- Lubricate brake lever cable
 - Drip light weight oil from the top of the cable so it runs through the cable housing
- Grease the pivot axle



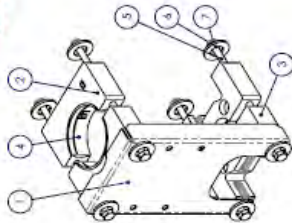
APPENDICES

- A. BLOCK SETS BREAKDOWN
- B. JACKHAMMER TROLLEY - HAZARD ASSESSMENT
- C. SALES AND SPARES

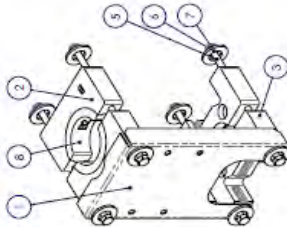
Appendix A – BLOCK SETS BREAK DOWN

PRINT MAY BE REDUCED - DO NOT SCALE.

UNIVERSAL KIT

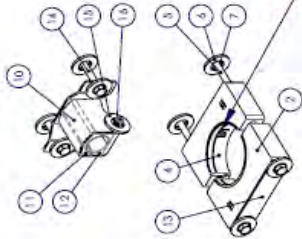


BOSCH CLAMP ASSEMBLY



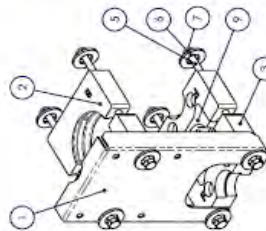
HITACHI & DEWALT CLAMP ASSEMBLY

HILTI KIT

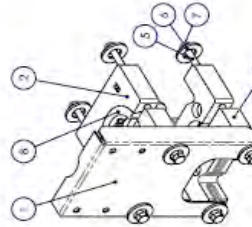


HILTI CLAMP ASSEMBLY

NOTE: THE B1 ADAPTOR Block need to have the thinner part cut off to mount the HILTI HAMMER



MAKITA CLAMP ASSEMBLY



MILWAUKEE CLAMP ASSEMBLY

| ITEM | PART NO. | DESCRIPTION |
|------|-----------------------|--------------------------|
| 1 | JHT-09-02 | UNIVERSAL TOP PLATE |
| 2 | JHT-09-011 | B-BLOCK |
| 3 | JHT-09-12 | F-BLOCK |
| 4 | JHT-09-13 | B1 ADAPTOR |
| 5 | M10 X 250 ZP HEX BOLT | M10 WASHER |
| 6 | M10 HEX NUT (INTLOC) | B2 ADAPTOR |
| 7 | JHT-09-14 | FT ADAPTOR |
| 8 | JHT-09-15 | HILTI HANDLE BLOCK PLATE |
| 9 | JHT-09-04 | HILTI HANDLE MOUNT LOWER |
| 10 | JHT-09-17 | HILTI HANDLE MOUNT UPPER |
| 11 | JHT-09-16 | HILTI BLOCK TOP PLATE |
| 12 | JHT-09-06 | M8 X 65 HEX BOLT |
| 13 | JHT-09-06 | M8 WASHER |
| 14 | | M8 HEX NUT (INTLOC) |
| 15 | | |
| 16 | | |

JACK HAMMER TROLLEY - CLAMP ASSEMBLIES



www.makindexusa.com
 Makinex Support #:
 US 407-446-1966, 407-826-0000

Appendix B – JHT Risk Assessment

| PRODUCT RISK / HAZARD ASSESSMENT TABLE | | | |
|---|--|---|----------------------------------|
| Product Name: EASY HAMMER P5 | | Assessment Carried Out By: RORY KENNARD | |
| Manufacturer: WORK SMART EQUIPMENT | | Document Revision Number: 3 | |
| Operator Competency: PLANT LICENCE NOT REQUIRED | | Date: 25-10-2010 | |
| HAZARD | LIKELIHOOD | CONSEQUENCE | RISK LEVEL |
| MECHANICAL HAZARDS | | | |
| PINCHING/CRUNSHING DUE TO - INADVERTANT PLACEMENT OF FINGERS IN PIVOT POINT | 2 LIKELY | 3 MINOR | 3 MEDIUM |
| STABBING/PUNCTURE DUE TO - FROM BLADE/MOIL WHILE OPERATING INSTALLATION/REMOVAL OF BLADE/MOIL | 3 UNLIKELY 2 LIKELY | 3 MINOR 3 MINOR | 4 MEDIUM 3 MEDIUM |
| CRUSHING DUE TO - DROPPING THE MACHINE WHILE LIFTING DROPPING HAMMER WHILE UNINSTALLING FROM TROLLEY | 2 LIKELY 2 LIKELY | 3 MINOR 3 MINOR | 3 MEDIUM 3 MEDIUM |
| ELECTRICAL HAZARDS | | | |
| SEVERING LEADS | 2 LIKELY | 1 FATALITY | 1 HIGH |
| HAZARDS GENERATED BY NOISE | | | |
| DEAFNESS (LONG TERM USE) | 4 VERY UNLIKELY | 2 MAJOR | 4 MEDIUM |
| HAZARDS GENERATED BY VIBRATION | | | |
| STRAIN FROM VIBRATION | 3 UNLIKELY | 3 MINOR | 4 MEDIUM |
| HAZARDS GENERATED BY MATERIALS AND SUBSTANCES | | | |
| IRRITATIONS TO THE SKIN DUE TO MATERIALS USED INHALATION OF MINOR DREBBE PARTICLES OPERATION OF BLADE | 4 VERY UNLIKELY 1 VERY LIKELY 2 LIKELY | 2 MINOR 2 MAJOR 3 MINOR | 4 NEGLEBLE 1 HIGH 3 MEDIUM |
| HAZARDS GENERATED BY NEGLECTING ECONOMIC PRINCIPLES | | | |
| HAZARD COMBINATION | | | |
| BACK INJURY (BENDING ADJUSTING BLADE POSITION) LIFTING THE MACHINE (BACK INJURY) | 3 UNLIKELY 2 LIKELY | 2 MAJOR 3 MINOR | 3 MEDIUM 3 MEDIUM |
| HAZARDS IN CONNECTION WITH PLACE OF OPERATION OF THE MACHINE | | | |

NOTES

THIS PRODUCT HAS BEEN DESIGNED AND MANUFACTURED AS A JACK HAMMER TROLLEY ONLY

THIS DOCUMENT HAS BEEN PREPARED ACCORDING TO GUIDELINES AND RECOMMENDATIONS FOUND IN:
 1. HAZPAK PRODUCED BY THE WORK-COVER AUTHORITY AND
 2. THE AUSTRALIAN STANDARDS 4024.1, 465 - 1999 "SAFEGUARDING OF MACHINERY - PART 1: GENERAL PRINCIPLES"

THE TERMS "VERY LIKELY", "LIKELY", "UNLIKELY", "VERY UNLIKELY" REFER TO PROBABILITY OF AN EVENT HAPPENING, BUT ARE QUALITATIVE AND BASED ON BEST ESTIMATION DUE TO CONSULTATION AND EXPERIENCE.

RISK LEVEL IS DETERMINED USING THE RISK TABLE AS SUGGESTED IN HAZPAK.
 INHERENTLY, AS THE CONSEQUENCE INCREASES IN SEVERITY, RISK INCREASES - EVEN WHEN LIKELIHOOD IS LOW

IS DEFINED BY THE WORK-COVER AUTHORITY AS THIS:

- NEGLEBLE = ABLE TO BE TREATED USING FIRST AID
- MINOR = REVERSIBLE INJURIES REQUIRING SEVERAL DAYS OFF
- MAJOR = NORMALLY IRREVERSIBLE INJURIES
- FATALITY = INJURIES RESULT IN DEATH

Appendix C – Sales and Spare Parts

For sales and spare parts please refer to your local distributor or contact us on

www.makinex.com sales@makindex.com

www.makinex.com.au sales@makindex.com.au