

Table of Contents

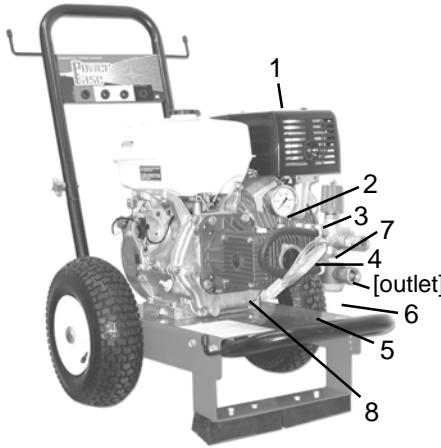
ENGLISH

Component Identification	2
Before You Begin	2
Safety Instructions	2-3
General Warnings & Cautions	3-4
Location, Warnings & Cautions	4
Gas Engine Precautions	5
Electric Motor Precautions	6
Pump Precautions	7
Pre-Operation Checklist	7
Setup & Use	7-8
Operating Instructions	8-9
Shutdown Instructions	10
Winterize the Machine	10
Preventative Maintenance	11
Pressure Washer Troubleshooting	11-14
Gas Engine Troubleshooting	15-16
Electric Motor Troubleshooting	16-17
Pump Troubleshooting	17-19
Pump Pressure Warranty	20
Frame Assembly Instructions	20-21
General EZ Pump Breakdown	22-23
General TP Pump Breakdown	24-25
Comet ZWD Pump Breakdown	26-27
Comet LWD-K Pump Breakdown	28-29
Comet AXD Pump Breakdown	30-31
AR XMV Pump Breakdown	32-33
Cat 5DX Pump Breakdown	34-35
Cat 2DX Pump Breakdown	36-37
Pressure Washer Accessories	62-63

FRANCAIS

Identification Des Composantes	38
Avant de commencer	38
Instructions De Sécurité Et Avertissements	38-39
Avertissements Et Précautions	39-40
Localisations Des Avertissements et Précautions	41
Précautions Concernant Le Moteur À Gaz	41-42
Précautions Concernant Le Moteur Électrique	42-43
Précautions À Propos De La Pompe	43
Vérification De Pré-Opération	44
Installation & Utilisation	45
Instructions A Propos De L'Utilisation	45-46
Instructions Pour Arrêter	47
Préparation De La Machine Pour L'Hiver	47-48
Entretien De Préventions	48
Dépannage	49-52
Guide De Dépannage Du Moteur Au Gaz	53-55
Guide De Dépannage Du Moteur Électrique	55-56
Guide De Dépannage Du La Pompe	56-59
Garantie De La Pompe À Pression	59-60
Instructions Pour L'assemblage Du Chassis	60-61
Accessoires De La Laveuse a Pression	62-63

Component Identification



1. Engine muffler: Please avoid leaning or placing hand on muffler when turning on or shutting down unit (HOT!!!)
2. Stainless steel gauge: High pressure, glycerin filled
3. Unloader valve: for adjusting the working pressure of the unit
4. Soap injector Kit: For extra cleaning capabilities.
5. Soap Injector Inlet Hose: For drawing from soap container.
6. Inlet Water Filter: For garden hose. Located near unloader
7. Thermo Valve: Safeguards pump from overheating
8. Plunger pump: Water cooled

Before You Begin

Read and understand all instructions before operating your pressure washer.

This manual explains how to use your high pressure spray equipment. Be sure everyone who operates, maintains or repairs the pressure washer has read this manual. **WARNINGS AND CAUTIONS MUST BE UNDERSTOOD!**

Safety Instructions

WARNINGS

High pressure spray can cause serious injury. This product must be used **ONLY** by personnel that have been instructed in the safe use of this machine. Observe all warnings when you operate, maintain and repair the pressure washer.

Use this equipment only in well ventilated areas and free of combustible materials, combustible fumes or dust. Failure to follow this warning may cause carbon monoxide build up, fire or explosion, and possible injury or death.

Safety Instructions Continued

To prevent injury wear the following protective clothing:

Gloves

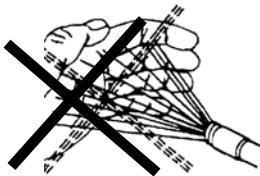
Hard Hat

Mask

Work Boots

Ear Plugs

Safety Goggles



INJECTION HAZARD: Fluids under high pressure from spray or leaks can penetrate the skin and cause extremely serious injury, including death or the need for amputation. You must observe these precautions.

NEVER point the spray gun at people, plants or animals.

NEVER put your hand or fingers over the spray tip.

NEVER try to stop or deflect leaks with your hand or body.

NEVER purchase and use chemicals or detergents that are toxic, flammable, or high in acidic/alkaline base, and always request a material safety data sheet (MSDS) for the product you are purchasing.

NEVER use a powder type detergent or chemical that is not manufactured for pressure washer use; i.e. dish detergent, laundry soap.

General Warnings & Cautions

GET EMERGENCY MEDICAL TREATMENT AT ONCE IF ANY FLUID SEEMS TO PENETRATE YOUR SKIN, EVEN IF THE WOUND DOES NOT APPEAR SERIOUS.

Tell the doctor exactly what fluid was injected and give him the Material Safety Data Sheet for the detergent or chemical product used.

- ◆ Understand ALL the information this section before you begin to use the pressure washer.
- ◆ Be sure that all system components and accessory items are original equipment or equivalent.
- ◆ Be sure the machine is properly located for safe operation.
- ◆ NEVER alter or modify the pressure washer as personal injury or death could result to humans, plants, or animals, and voids any warranty offered by the manufacturer.
- ◆ NEVER locate the equipment near combustible materials, combustible fumes, or dust, as personal injury or death could result from fire or explosion.

General Warnings & Cautions Continued

- ◆ NEVER spray flammable liquids, toxic chemicals (such as insecticide or weed killer) as personal injury or death could result from fire, explosion, or poisoning while damaging the environment.
- ◆ NEVER allow children or untrained adults to operate the machine.
- ◆ NEVER wear loose clothing and keep your body and clothing clear of moving parts when the machine is running.
- ◆ NEVER leave the pressure washer unattended once you have started it. If you must leave, follow complete shut down instructions to prevent unauthorized and untrained personnel from operating the machine.
- ◆ NEVER move the machine by pulling the hose.
- ◆ NEVER activate the gun with no nozzle in the wand. This will cause the "O" ring to become dislodged from the coupling and the unit will not function properly.
- ◆ NEVER put any type of trigger lock onto the gun.
- ◆ NEVER place hands on motor or pump when unit is running. Keep away from moving parts at all times.
- ◆ NEVER allow children or animals around your working area.
- ◆ ALWAYS face nozzle and wand to the ground when testing.
- ◆ NEVER exceed the pressure rating of the unit's recommended pressure.
- ◆ NEVER change quick couple nozzles with the nozzle under pressure and without the gun safety in the "on" or "lock" position.
- ◆ NEVER clean the machine by using its own spray wand.
- ◆ NEVER run the machine without water.

Location, Warnings & Cautions

- ◆ The machine must be used at or near the working area and always under trained operator supervision.
- ◆ The machine should be located as close as possible to the water supply.
- ◆ Locate the machine on a solid and level surface so that engine and pump crankcase oil lubricates components properly. Avoid areas where water can build up in the working area. Possible injury can occur caused by the surface becoming slippery from water build up.
- ◆ Locate the machine in a well ventilated area and away from flammable materials or fumes. Be sure ventilation WARNINGS are observed. Keep pressure washer at least 18" away from flammable materials.
- ◆ Locate the machine so the operator has easy access to the pressure washer and its controls.
- ◆ Locate the machine so that it is protected from external damage.
- ◆ To prevent damage and excessive hose wear, locate the pressure washer so that the hose does not cross traffic areas.

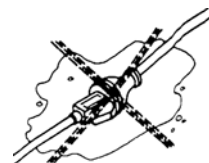
Gas Engine Precautions

A FIRE OR EXPLOSION CAN OCCUR RESULTING IN PERSONAL INJURY IF THE FOLLOWING INSTRUCTIONS ARE NOT FOLLOWED:

- 1 DO NOT fill gasoline tank while engine is running. Allow engine to cool for two minutes before refueling.
- 2 DO NOT operate the engine when an odor of gasoline is present, or other explosive conditions exist.
- 3 IF GASOLINE IS SPILLED, move the machine away from the area of the spill and avoid creating any source of ignition until the gasoline has evaporated.
- 4 DO NOT store, spill, or use gasoline near an open flame, or devices such as a stove, furnace, water heater which utilize a pilot light, or devices which can create a spark.
- 5 REFUEL OUTDOORS preferably, or in well ventilated areas with **UNLEADED GAS ONLY**.
- 6 DO NOT operate engine without muffler. Operating without a muffler, or with a muffler that leaks because of rust or damage, can permit an increased exhaust noise level. Inspect muffler periodically and replace if necessary.
- 7 DO NOT use this engine on any forest covered, brush covered or grass covered unimproved land unless a spark arrestor is attached to the muffler.
- 8 DO NOT operate engine if air cleaner or cover directly over the carburetor air intake is removed.
- 9 DO NOT choke the carburetor to stop the engine.
- 10 DO NOT TAMPER WITH THE GOVERNOR SPRINGS, GOVERNOR LINKS OR OTHER PARTS WHICH MAY INCREASE THE GOVERNED ENGINE SPEED.
- 11 DO NOT tamper with the engine speed selected by the original equipment manufacturer.
- 12 CAUTION - DO NOT RUN AT EXCESSIVE SPEEDS. Operating and engine at excessive speeds increases the danger of personal injury.
- 13 DO NOT TOUCH hot mufflers, cylinders or fins, as contact may cause burns.
- 14 TO PREVENT HAND OR ARM INJURY, always pull starter chord rapidly to avoid kickback.
- 15 READ ENGINE OWNERS/OPERATORS MANUAL BEFORE USING OR ATTEMPTING TO SERVICE THIS MACHINE.

Electric Motor Precautions

- ◆ DO NOT directly spray electric motor, as shock hazard could occur.
- ◆ DO NOT allow electric plug to get wet during operation. **PLEASE USE WITH CAUTION!**
- ◆ Make sure the unit is in the off position before plugging in.
- ◆ Do not touch plug with wet hands.
- ◆ Make sure that you are using the correct voltage and phase
- ◆ Do not modify the plug provided with the product. If it will not fit the outlet, have a proper outlet installed by a qualified electrician.
- ◆ Do not use any type of adaptor with this product.



It is recommended to connect your electric pressure washer to a ground fault circuit interrupter. **This engine must be grounded.** If it should malfunction or breakdown, grounding provides a path of least resistance for electric current to reduce the risk of electric shock. This product is equipped with a chord having an equipment grounding conductor and a grounding plug. The plug must be plugged into an appropriate outlet that is properly installed and grounded in accordance with all local codes and ordinances.

DANGER - Improper connection of the equipment grounding conductor can result in a risk of electrocution. **Check with a qualified electrician or service personnel if you are in doubt as to whether the outlet is properly grounded.**

Extension Chords

Extension chords are **NOT** recommended to be used with this product. If an extension chord must be used the following requirements should be met:

- ◆ Use only 3 wire extension chord that has a three prong grounding type plug with the applicable amperage to match the pressure washer being used.

Use only extension chords that are intended for outdoor use. These extension chords are identified by a marking "Acceptable for use with outdoor appliances; store indoors while not in use" Use only extension chords having an electrical rating not less than that of the product. DO NOT use damaged extension chords and DO NOT yank on any chord to disconnect. Keep chord away from heat and sharp edges. ALWAYS disconnect the extension chord from the receptacle before disconnecting the product from the extension chord. Extension chords MUST be connected to a grounded outlet equipped with a GFCI (Ground Fault Circuit Interrupter). There is risk of electrocution if the extension chord is not connected to a grounded outlet equipped with a GFCI.

Pump Precautions

- ◆ NEVER allow the pump to run for more than a 3 minute period without opening the gun. (This will cause pump damage due to excessive water temperature and void the warranty)
- ◆ NEVER let the pump run when the machine is not connected to the water supply. (causing cavitation)
- ◆ NEVER run acids or hard caustics (such as lye) through the pump.
- ◆ NEVER use chemicals or agents which are not compatible with the Buna-N and PVC (polyvinyl) or neoprene covering of the hose. (Always use citrus based detergents.)
- ◆ NEVER use water with a temperature over 140 degrees F.
- ◆ Check for leaks. Tighten connections if necessary.

Pre-Operation Checklist

- Be sure you understand all the safety precautions and have been instructed in the safe use of the machine.
- Wear face and eye protection to prevent injury from spray and flying debris.
- Wear protective gloves, rubber boots, and other protective clothing as required.
- Understand all safety precautions and first aid for any detergent or chemical being used.
- Check that all lines and hoses are not kinked, twisted or damaged. Replace any damaged hose.
- Check that the machine is connected to a water supply and that the water supply is on.
- Tighten all fluid connections securely.
- Check that oil and fuel levels are at the correct levels before operating. (Pump uses BE-UTFH oil. Engine uses SAE 10-30W. If your pressure washer is equipped with a gear box, use 90W oil for gear box.) (See engine manufacturer's manual for oil change intervals.)
- Before starting machine be sure pump is primed and air is purged from the system by allowing water to flow through the pump.

Setup & Use

Follow these instructions for setup and use of your high pressure washer.

1. Position the machine on a solid level surface with slopes for drainage to prevent liquid build up on the floor or surface. Position the machine so that the operator has easy access to the pressure washer and its controls. Be sure ventilation WARNINGS are observed.

Setup & Use Continued

2. Check and determine that the water supply source is capable of exceeding the output in gallons per minute of the pump. If you are drawing water from a clean static source, rather than a pressure main, the pressure washer must be primed and placed as close as possible to the water source. Be sure the machine is placed on a solid level surface and can not be pulled or bumped into the static source, and the intake hose used must be as large as possible. When drawing water from a pressure source, you need a hose with a 5/8" outside diameter for lengths up to 50', or a 3/4" diameter for lengths up to 100'.
3. Connect the high pressure hose to the pressure washer and tighten securely.

Operating Instructions

WARNING

High pressure spray, improperly used could damage the equipment you wish to clean or the surrounding environment. Practice on scrap materials, gradually increasing pressure applied to the object by adjusting the nozzle or moving the nozzle closer to the object until it is cleaned without being damaged.

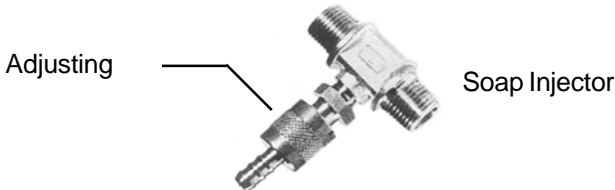
The manufacturer does not warranty damage caused by the consumer's failure to adjust or operate the machine in accordance with the instructions provided in the owners manual supplied with the machine.

Follow these instructions to operate the machine:

1. Use the pre-operation checklist to help avoid personal injury.
2. Prime the pump and purge air from the system by squeezing the gun trigger before starting the machine, with the unit attached to a pressure main. Let the water flow from the wand until air is purged from system.
3. If engine is equipped with fuel valve, turn valve to **ON**.
4. Close choke lever located on engine carburetor as per engine manufacturer instructions.
5. Turn engine switch to **ON**.
6. If engine is equipped with throttle lever, position lever to **HALF THROTTLE**.
7. For easier starting, squeeze the trigger on the spray gun allowing water to pass through gun and grasp the engine starter grip. Pull lightly on the starter grip until resistance is felt, then pull briskly. Repeat this step as necessary until engine starts.

Operating Instructions Continued

8. As engine begins to warm up, gradually move the choke lever to OPEN.
9. If engine is equipped with throttle lever, position lever to FULL THROTTLE.
10. The manufacturer has adjusted the pump pressure to its maximum operating pressure. Simply adjust the pressure required for cleaning with the nozzle as follows when your wand is equipped with: **Quick Couple Nozzles:** Change nozzles to desired spray pattern (0°, 15°, 40°) or detergent nozzle (the one with the larger orifice) by quick coupling on and off the nozzle. **DO THIS ONLY WHEN THE TRIGGER IS NOT SQUEEZED AND THE GUN SAFETY IS ON.** NOTE: 0° is not included with 2005HWCOMXE, 1704HWCOMX or 1604BWCOMX
11. You are now ready to start cleaning with your pressure washer. **CAUTION:** Always begin high pressure washing with the nozzle at least four feet from the object being cleaned and gradually move nozzle closer to the object until it is cleaned without damage.
12. To draw chemical/detergent, be sure the pick up tube is installed into the chemical/detergent container with the tube sub merged in the solution. Change wand nozzle to the brass soaper nozzle and squeeze the gun trigger. Adjust the brass knurled chemical knob counter clockwise until proper chemical application is reached. (Adjustment is not available on some models. If no adjustment, simply attaching soaper nozzle will activate the injector.)



13. **NEVER** allow the pump to run for more than a 3 minute period without opening the gun. This will cause the pump damage due to excessive water temperature and void the warranty. A thermal relief valve has been added to the pump to reduce the possibility of overheating, however, malfunction of this device does not constitute pump warranty for damage caused by overheating.
14. As you operate the machine, be sure the inlet garden hose does not become kinked.
15. The maximum engine RPM has been set at the factory. **TAMPERING WITH ENGINE GOVERNOR WILL VOID PUMP WARRANTY.**
16. **Do not exceed the manufacturer's maximum pressure by increasing the unloader adjustment. (This will void pump warranty.)**

Shutdown Instructions

1. Run only clean water through the entire chemical/detergent system, then turn chemical/detergent injection valve to OFF. INJECTION HAZARD: Fluids under high pressure from spray or leaks can penetrate the skin and cause extremely serious injury, including death or the need for amputation.
2. If engine is equipped with throttle lever, position lever to IDLE.
3. Turn engine switch to OFF.
4. If engine is equipped with a fuel valve, turn valve to CLOSED position.
5. Turn water supply to OFF.
6. Open gun to relieve pressure, and drain as much water as possible.
7. Remove inlet garden hose.
8. For safety and your liability protection, remove high pressure hose and store gun/wand in a secure place with this owners manual to eliminate the possibility of unauthorized and untrained personnel from operating the machine.

Winterize The Machine

Whenever your machine will be subjected to freezing temperatures, severe damage could occur caused by freezing inside the components. To prevent costly repairs, follow these steps: (Freeze damage is NOT covered by the manufacturers warranty.)

1. Be sure the machine is OFF, water supply is disconnected, and pressure has been relieved.
2. Obtain a one-gallon container or NONTOXIC (RV) antifreeze.
3. Install a suction hose from the pump inlet (garden hose fitting) into the NONTOXIC antifreeze. Following operation instructions, start the engine and squeeze trigger on spray gun allowing the pump to draw anti freeze through the entire system. Once antifreeze appears at the end of the wand, turn the engine off.
4. Squeeze gun trigger to relieve pressure, and remove the high pressure hose, gun/wand and store in a secure place with the owners manual to eliminate unauthorized and untrained personnel from operating the machine.
5. See engine owner's manual for proper engine storage.
6. When preparing to operate the pressure washer again, simply reconnect to pressure system water supply, attach the high pressure hose assembly, turn the water to "ON" and squeeze trigger allowing water to pass through the system. (Do not start engine.) Once the liquid becomes clear water at the end of the wand, you are ready to begin operating your pressure washer as referenced in this manual.

Preventive Maintenance

Daily Checks

Regular inspection of your pressure washer is the key to prolong its life. Follow these simple daily checks religiously.

1. Check air filter for dirt and clean or replace as required.
2. Check engine oil level. (Dipstick is attached to inside of oil cap.)
3. Check engine fuel level.
4. Check high pressure hose for kinks, twists or damage. Replace any damaged hose.
5. Check that the pump oil level is within operation range on the pump dipstick or to the centre of the sight glass.
6. On units with a gearbox, check that the gear box oil level is within operation range on the gear box dipstick.
7. Check that the water supply is adequate for your machine.
8. Check water inlet screen and clean when necessary.
9. Check the chemical supply.

Preventive Maintenance

1. Change pump oil and, if so equipped, gearbox oil, after every 250 hours. (Pump uses 30W non-detergent oil. If your pressure washer is equipped with a gear box, use 90W oil for gearbox.)
2. See engine manufacturer's manual for oil change intervals. (Engine uses SAE 10-30W.)

Pressure Washer Troubleshooting

NOTICE: Most problems with pressure washers are not a malfunction of the pump or motor!! **ALWAYS** trouble shoot from water source and/or nozzle towards the pump and motor. Example: Check water supply and nozzle if pressure fluctuates, unit is noisy or does not reach full pressure.

Follow these trouble shooting rules closely.

Introduction

With proper care and use of the pressure washer, the unit should remain free of problems. Most problems are caused by careless or improper use of the equipment. Operation of the unit without an inlet water supply will result in damage to the seals and other components. Another common cause of damage is running the unit for long periods with the spray gun trigger in its "Closed" position.

The latter can result in high water temperatures, resulting in damage to seals and other components.

Pressure Washer Troubleshooting Continued

Failure of the pressure washer to operate properly is often blamed on a pump failure. Actually only about 10 percent of pressure washer problems are caused by pump failure.

Cavitation

If the water pressure falls below a certain point (called vapor pressure) the water will begin to boil even though the temperatures are below normal boiling point. Tiny bubbles of vapor will then form in the boiling water. If the vapor bubbles are carried away to a higher pressure area in the system the vapor will condense again and leave a cavity in the midst of the flow. The surrounding water will then rush in to fill these cavities. Extremely high local pressures are then created (up to 100,000 PSI). Such high pressures may result in erosion, turbulence, noise, vibration, and excess wear and tear on the pump.

The pump inlet, where the pistons pull the water in, are very susceptible to cavitation problems. Anything that obstructs the flow of water into the pump can result in cavitation such as:

- ◆ A clogged water inlet filter
- ◆ Inlet piping or hoses that are too small
- ◆ Excessive numbers of restrictions in the water inlet (such as too many valves, or too many bends).
- ◆ Excessive turbulence or heat

To prevent cavitation, pump inlets must be carefully maintained to avoid restrictions to flow.

Some Pressure Washer Problems

Some of the problems that might occur in a pressure washer system are as follows:

- ◆ Failure of the unit to produce pressure
- ◆ Erratic pressure
- ◆ Chattering
- ◆ Reduction in pressure
- ◆ Low water volume

If a Problem Occurs - Some Preliminary Checks

When a problem arises don't remove the pump immediately and start replacing parts. First check the following possible causes of the problem:

- ◆ Make sure the water supply is turned on and the water supply is adequate

Pressure Washer Troubleshooting Continued

- ◆ Make sure the water inlet hose is not kinked or damaged
- ◆ Check the inlet water filter. Clean or replace if necessary
- ◆ Make sure the water supply is not too hot. Inlet water temperature should not exceed 140° F
- ◆ If a detergent is being used, make sure the detergent hose is submerged and not drawing air into the system. If detergent is not being used, the chemical injector valve should be turned off
- ◆ Make sure the unloader/regulator valve is properly adjusted
- ◆ Make sure the pump outlet hose is not leaking and is not blocked
- ◆ Check the wand and high pressure hose quick couplers for missing O-rings
- ◆ Check that the nozzle is clear and unobstructed

More Troubleshooting Tips

1. If the pump is running but produces no flow, try **priming the pump**.
 - a) To prime the pump, keep suction at a minimum and keep the discharge line open
 - b) Open and close the spray gun trigger repeatedly to aid the priming process
2. A **chattering noise** usually indicates a restricted water supply or air leaks.
 - a) Check for kinks or leaks in the hoses
 - b) look for a plugged or damaged inlet water filter
 - c) If the filter has been damaged, sediment may have entered the pump. The sediment will be lodged in the inlet valve(s) and must be removed.
3. Damage to the pump can result from
 - a) inadequate water supply,
 - b) vacuum lift too high, or
 - c) excessive water temperature.
4. Check the pump crankcase for correct oil level and for oil contamination. If oil appears milky, water has entered the oil and the piston seals should be replaced.

Problems With Detergent

Problems with the use of detergent are often caused by incorrect procedures on the part of the operator. Problems encountered that involve the use of cleaning agents can often be attributed to one or more of the following:

1. Wrong Nozzle: Use the brass soaper nozzle when using detergents.
2. Hose is not fully submerged in solution: If the tube is not fully immersed, the unit will be picking up air.
3. Injection valve is closed: The detergent valve must be open in order to pick up detergent.

Pressure Washer Troubleshooting Continued

4. Wrong type of detergent: Only those soaps designed specifically for pressure washers should be used. Household detergents could damage the pressure washer.

Most Frequently Asked Questions

What kind of oil should I use?

Engine: Check engine manufacturer's manual (SAE 10-30W).

Pump: 30W non-detergent

Gearbox: If your pressure washer is equipped with a gearbox, use 90W oil.

My Pressure Washer won't start...

Are engine controls set properly?

Do you have fuel in your machine?

How do I get the soap suction to work?

Replace the high pressure stainless steel nozzle with the brass soaper nozzle.

How do I adjust the pressure at the Unloader?

Turn the unloader/regulator knob clockwise to increase pressure and counter-clockwise to decrease pressure.

I don't have any water pressure...

Do you have any kinks , leakage , or blockage in hoses, fittings or nozzle?

Is the brass soaper nozzle attached to the end of the lance?

Have you let the unit run in bypass for longer than 3 minutes (pump running, gun trigger not depressed)

Have you checked the nozzle for excessive wear?

Gas Engine Troubleshooting

Problem	Possible Cause	Remedy
Engine will not start	<ol style="list-style-type: none"> 1. Throttle lever on/off switch in OFF position 2. No fuel in engine 3. Worn fouled or dirty spark plug 4. Pressure build up in pump 	<ol style="list-style-type: none"> 1. Turn throttle lever to ON position 2. Fill fuel tank or turn on fuel supply 3. Replace with factory recommended spark plug 4. Squeeze trigger on spray wand (refer to operating instructions in owner's manual)
Units with Oil Alert or Oil Guard Systems	<p>Engine not level or</p> <p>Engine oil level too low</p>	<p>Place engine on level surface or</p> <p>Fill crankcases with oil (refer to engine manufacturers instruction manual)</p>
Engine with low power	<ol style="list-style-type: none"> 1. Possible internal engine problem 2. Partially clogged gun nozzle 	<ol style="list-style-type: none"> 1. Return it to an authorized engine repair center. If engine is equipped with throttle lever, make sure engine is running at full throttle. 2. Clean nozzle of any blockage
Engine runs well at no load but "bogs" down under full load	<ol style="list-style-type: none"> 1. Engine speed is too slow 	<ol style="list-style-type: none"> 1. Contact your pressure washer dealer
Engine will not start; or starts and runs rough	<ol style="list-style-type: none"> 1. Low oil level 2. Dirty air cleaner 3. Out of gasoline 4. Stale gasoline 5. Sparkplug wire not connected to spark plug 	<ol style="list-style-type: none"> 1. Fill crankcase to proper level 2. Clean or replace air cleaner 3. Fill fuel tank 4. Drain gas tank, fill with fresh fuel 5. Connect wire to spark plug

Gas Engine Troubleshooting Continued

	<ul style="list-style-type: none"> 6. Bad spark plug 7. Water in gasoline 8. Overchoking 9. Excessively rich fuel mixture 10. Intake valve stuck open or closed 11. Engine has lost compression 	<ul style="list-style-type: none"> 6. Replace spark plug 7. Drain gas tank, fill with fresh fuel 8. Open choke fully and crank engine 9. Contact authorized engine service outlet 10. Contact authorized engine service outlet 11. Contact authorized engine service outlet
Engine shuts down during operation	<ul style="list-style-type: none"> 1. Out of gasoline 2. Low oil level 	<ul style="list-style-type: none"> 1. Fill fuel tank 2. Fill crankcase with oil, to proper level
Engine lacks power	<ul style="list-style-type: none"> 1. Dirty air filter 	<ul style="list-style-type: none"> 1. Replace air filter
Engine "hunts" or falters	<ul style="list-style-type: none"> 1. Choke is opened too soon 	<ul style="list-style-type: none"> 1. Move choke to halfway position until engine runs smoothly * All engine servicing to be taken to manufacturer's authorized service outlet

Electric Motor Troubleshooting

Problem	Possible Cause	Remedy
Motor will not start and there is no humming sound	<ul style="list-style-type: none"> 1. Not plugged in 2. "RESET" button on GFCI not pushed 3. Circuit breaker has tripped or fuse is blown 	<ul style="list-style-type: none"> 1. Plug in 2. Push "RESET" button 3. Reset breaker or replace fuse
Power source circuit continues to trip or blow fuses	<ul style="list-style-type: none"> 1. Too much load already on circuit 	<ul style="list-style-type: none"> 1. Reduce load on circuit and try another compatible amp circuit

Electric Motor Troubleshooting Continued

	<ol style="list-style-type: none"> 2. Extension cord is too long or of improper gauge, causing voltage drop 3. Pump is stuck due to dirt, mineral build up, or ice 4. Motor malfunction 	<ol style="list-style-type: none"> 2. See section on extension cords 3. Unplug unit. If temp. is below freezing do not use. Thaw in warm area. 4. Take it to your closest Baldor dealer for servicing <p>* All motor servicing to be taken to manufacturer's authorized service outlets</p>
--	--	---

Pump Troubleshooting

Problem	Possible Cause	Remedy
No low pressure detergent delivery	<ol style="list-style-type: none"> 1. Nozzles set on high pressure 2. Siphon hose or filter is plugged 3. Incorrect nozzle size 	<ol style="list-style-type: none"> 1. Push nozzle forward for variable nozzle units, or replace with brass soaper nozzle 2. Unplug siphon hose 3. Install correct brass soaper nozzle
Unit does not reach required pressure	<ol style="list-style-type: none"> 1. Restricted or insufficient water supply 2. Unsuitable or worn out nozzle 3. Regulator set too low 	<ol style="list-style-type: none"> 1. Check supply hose, faucet and inlet water filter. Must be connected to water source which provides 6GPM 2. Replace nozzle 3. Reset unloader by turning knob (clockwise increases pressure)

Pump Troubleshooting Continued

	<ol style="list-style-type: none"> 1. Restricted or insufficient water supply or air in the water line 2. Water temperature is too high 3. Pump has operated more than 3 minutes without pulling trigger 4. Pump sucking air 5. Inadequate water supply 6. Thermal relief valve stuck open 	<ol style="list-style-type: none"> 1. Check supply hose, fauce and inlet water filter 2. Use cool water only, maximum 140° F 3. Pull trigger at least 30 seconds every 3 minutes 4. Check chemical/soap injection system 5. Connect to water supply of at least 6GPM 6. Return unit to your pressure washer dealer for servicing
	<ol style="list-style-type: none"> 1. Water leak in high pressure fittings, hose or gun 	<ol style="list-style-type: none"> 1. Use teflon tape or pipe sealant to tighten hose fitting, replace hose or gun <p>If problem continues, take to your pressure washer dealer</p>
	<ol style="list-style-type: none"> 1. Nozzle in low pressure mode 2. Low unloader/regulator pressure 3. Water inlet filter is blocked 4. Inadequate water supply 5. Inlet garden hose is kinked or leaking 6. Detergent line is not submerged 7. Water supply is over 140° F 	<ol style="list-style-type: none"> 1. Insert stainless steel high pressure nozzles 2. Adjust unloader/regulator to desired setting 3. Clear inlet filter screen 4. Provide adequate water flow (at least 6GPM) 5. Straighten inlet hose or patch leak 6. Submerge detergent line 7. Provide cooler water supply

Pump Troubleshooting Continued

	<ul style="list-style-type: none"> 8. High pressure outlet hose is blocked or leaks 9. Spray gun leaks 10. Nozzle is obstructed 11. Pump is faulty 	<ul style="list-style-type: none"> 8. Clear blockage in high pressure outlet hose 9. Replace spray gun 10. Clear nozzle 11. Return unit to your pressure washer dealer
	<ul style="list-style-type: none"> 1. Detergent adjustment closed 2. Inadequate water supply 3. Nozzles in high pressure mode 4. Water restriction 	<ul style="list-style-type: none"> 1. Turn adjustment knob counter clockwise to open 2. Connect to water supply that will sufficiently supply 6GPM to pump 3. Replace high pressure stainless steel nozzle with brass soaper nozzle (black) 4. Remove wand/nozzle and check for detergent delivery - if you have soap, check and clean nozzle and all fittings removing scaling or other restrictions <p>If problem continues, take to your pressure washer dealer</p>

NOTE: Most detergent delivery problems can be prevented by:

1. Using citrus based detergents
2. Flushing the chemical/detergent system before storing
3. NEVER use powdered detergents that are not manufactured specifically for use in pressure washers (ie dish detergent)

	<ul style="list-style-type: none"> 1. Water temperature too high 2. Thermal relief valve stuck open 	<ul style="list-style-type: none"> 1. Use cool water only, maximum 140° F 2. Return unit to your pressure washer dealer for servicing
--	---	---

Pump Pressure Warranty

Pressure washers built by the manufacturer are warranted against any manufacturers defects that may occur to their pumps, or gear-boxes, for a period of 12 months from the date of purchase. In the case of a defect, please return the entire pump, with a copy of your bill of purchase, to the dealer from whom you purchased your pressure washer for possible warranty replacement

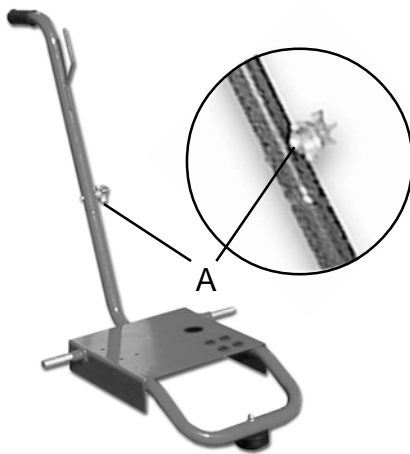
Engines/Motors are warranted by their manufacturers. Engine/motor warranty repair work must be done by an authorized repair depot.

The manufacturer warrants all other parts and components not listed above, for a period of 90 days from the date of purchase against manufacturer's defects. **ALL** labor done to the unit must have an authorized manufacturer repair number to qualify for warranty.

Pressure Washer units sold for commercial use will carry a limited warranty on all parts and components, for a 90-day period from the date or purchase against manufacturer's defects.

This warranty does not cover merchandise or components thereof, which, in the opinion of the company, has been subjected to negligent handling, misuse, alterations, an accident, or if repairs have been made with parts other than those obtainable through the manufacturer.

Frame Assembly Instructions



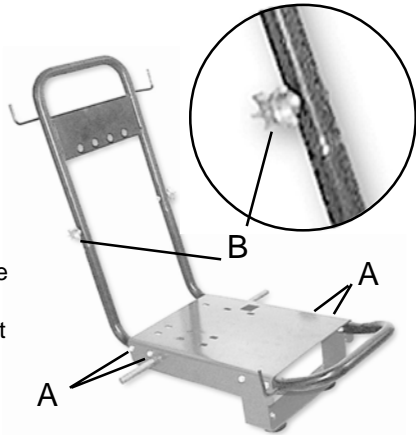
Single-Handle Frame

1. Slide top part of handle into lower part.
2. Align holes in the handle, and insert bolt through. Secure threader nut securely. (A)

Frame Assembly Instructions Continued

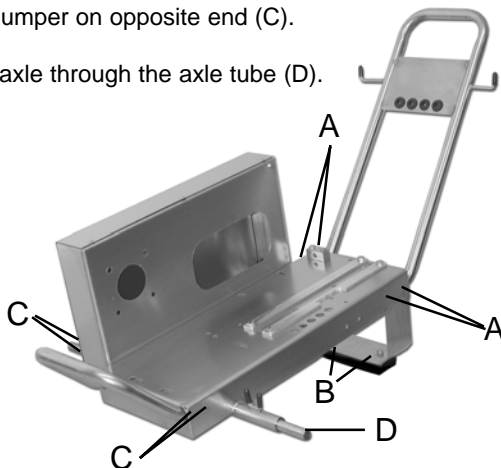
Large Frame

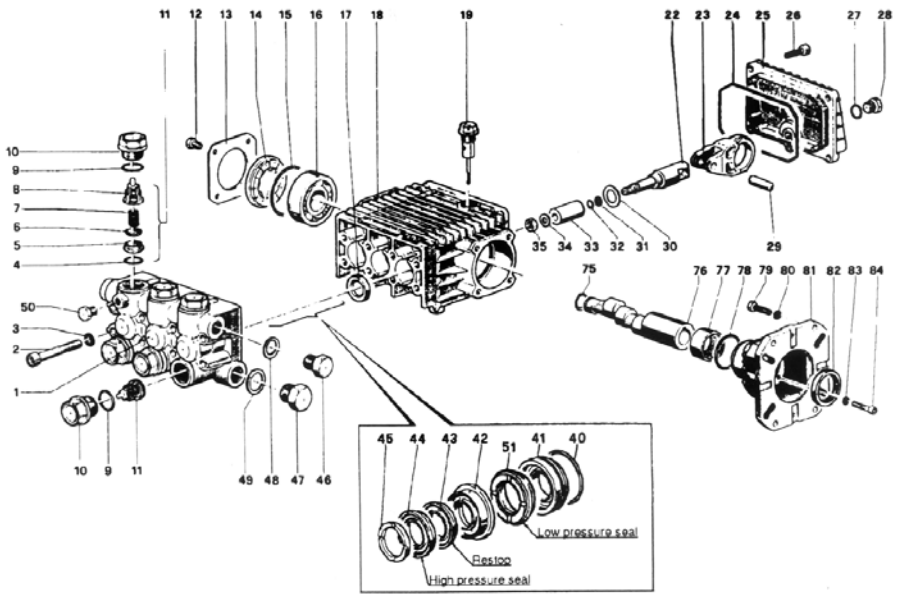
1. If applicable, bolt lower handle onto the frame using the four bolt holes labeled with an (A).
2. Slide top part of handle into lower part. Align holes in the handle, and insert bolt through. Secure threader nut securely (B).



Stainless Steel Belt Drive Frame

1. Bolt the handle and the feet brackets onto the frame through the same holes (labelled A). Place the feet brackets between the handle and the frame.
2. If applicable, bolt the feet onto the feet brackets through the holes labelled with a (B).
3. Bolt bumper on opposite end (C).
4. Slide axle through the axle tube (D).





ITEM	PART	DESCRIPTION	QTY.
1	44120041	PUMP HEAD	1
2	99317500	SCREW	8
3	96701400	WASHER	8
4	90384100	O-RING	6
5	36200366	VALVE SEAL	6
6	36200176	VALVE	6
7	94737600	SPRING	6
8	36202551	VALVE CAGE	6
9	90384700	O-RING	6
10	98222600	CAP SCREW	6
11	36711501	VALVE ASSEMBLY	6
12	99180700	SCREW	4
13	50150074	BEARING COVER	1
14	44211801	SPACER	1
15	90409700	O-RING	1
16	91832800	BALL BEARING	1
17	90161400	OIL SEAL	3
18	44010022	CRANKCASE	1
19	98210300	OIL DIP STICK	1
22	44050066	PISTON GUIDE	3
23	44030022	CONNECTING ROD	3
24	90392000	O-RING	1
25	44160022	REAR COVER	1
26	99183700	SCREW	5
27	90358500	O-RING	1
28	98204100	CAP SCREW	1
29	97734000	PIN	3
30	96735000	WASHER	3
31	90502200	ANTI-EXT. RING	3
32	90357200	O-RING	3
33	52040009	PISTON	3
34	96700800	WASHER	3
35	92221600	NUT	3
40	90361200	O-RING	3
41	44080070	PACKING RETAINER	3
42	52216670	INTERMED. RING	3
43	90262200	PACKING	3
44	90262000	PACKING	3
45	51100051	HEAD RING	3

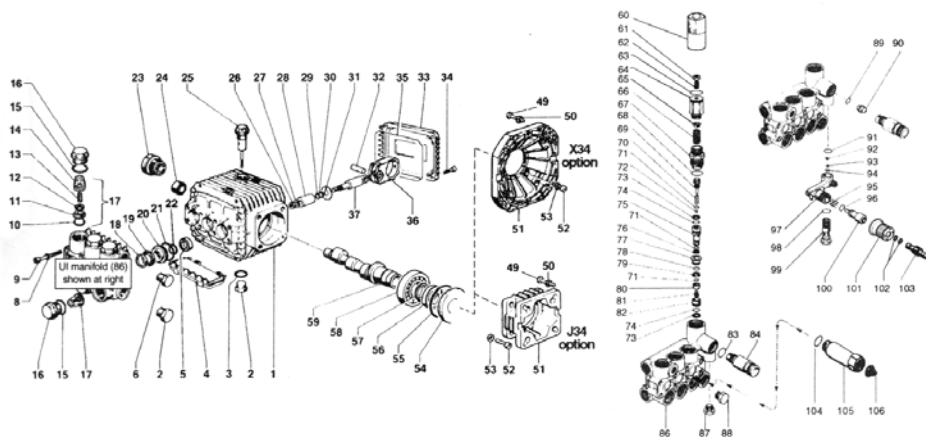
General EZ Pump Breakdown

ITEM	PART	DESCRIPTION	QTY.
46	98210000	CAP SCREW	1
47	98217600	CAP SCREW	1
48	96738000	WASHER	1
49	96751400	WASHER	1
50	98196600	CAP SCREW	1
51	90261700	SEA., LOW PRESS.	3
75	90063500	RETAINING RING	1
76	44020965	CRANKSHAFT	1
77	91856800	ROLLER BEARING	1
78	90409700	O-RING	1
79	99275500	SCREW, 5/16 X 1	4
	99334500	SCREW, 3/8 X 1	4
80	96702000	WASHER 08MM	4
	96710400	WASHER 010 MM	4
81	10051822	GAS FLANGE	1
82	90169000	OIL SEAL	1
83	96693800	WASHER	4
84	99191200	SCREW	4

Seal Kit: 3 x RKI130 (3040G)

Seal Kit: 3 x RKI156 (4040G)

Valve Kit: RKI123

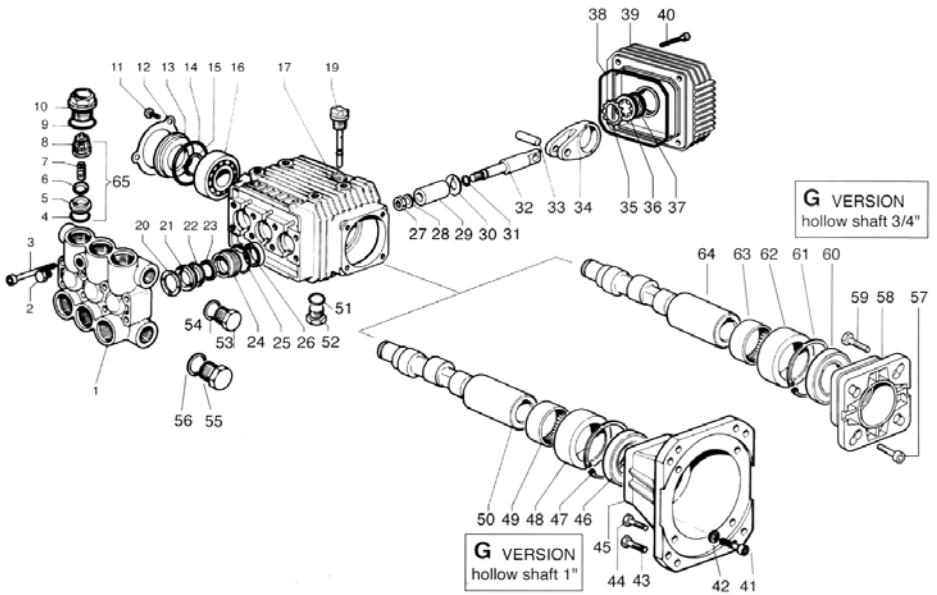


ITEM	PART	DESCRIPTION	QTY.
1	51010622	CRANKCASE	1
2	98210000	PLUG, 3/8	1
3	90383300	O-RING	1
4	51209102	PROTECTOR	1
5	90156500	OIL SEAL	3
6	98204100	PLUG, 1/4	1
8	96693800	WASHER	8
9	99194300	SCREW	8
10	90384100	O-RING	6
11	36200366	VALVE SEAT	6
12	36200176	VALVE PLATE	6
13	94737600	SPRING	6
14	36202551	VALVE CAGE	6
15	90384700	O-RING	6
16	98221600	VALVE CAP	6
17	36711501	VALVE ASSY.	6
18	51100051	HEAD RING	3
19	90262000	PACKING	3
20	51080070	PACKING RETAINER	3
21	90360400	O-RING	3
22	90383500	O-RING	3
23	97596800	SIGHT GAUGE	1
24	20212835	NEEDLE BEARING	1
25	98210300	OIL DIP STICK	1
26	92221600	NUT	3
27	96700800	WASHER	3
28	51040009	PLUNGER (15MM)	3
29	90357200	O-RING	3
30	90502200	BACK UP RING	3
31	96707000	FLINGER WASHER	3
32	97731000	CONN. ROD PIN	3
33	51160022	CRANKCASE COVER	1
34	99186700	SCREW	4
35	90391700	COVER O-RING	1
36	51030122	CONNECTING ROD	3
37	51050056	PLINGER ROD	3
49	99273000	SCREW, J34	4
	99334500	SCREW, X34	
50	96701400	WASHER, J34	4
	96710400	WASHER, X34	
51	10034622	FLANGE, J34	1
	10034422	FLANGE, X34	
52	99186700	SCREW	4
53	96693800	WASHER	4
54	50211551	SPACER	1
55	90409700	O-RING	1
56	90164400	OIL SEAL	1

General TP Pump Breakdown

ITEM	PART	DESCRIPTION	QTY.
57	90066700	SNAP RING	1
58	20283521	BEARING	1
59	51022165	CRANKSHAFT	1
60	36318751	KNOB	1
61	99306800	BOLT, M8 X 25	1
62	99222300	NUT, M8	1
63	90359800	O-RING, 20.35 X 1.78	1
64	36318570	PRESSURE REGULATOR	1
65	36316970	SEAT	1
66	94743600	SPRING, 15 X 36	1
67	36318470	BUSHING	1
68	90384700	O-RING	1
69	36318870	STOPPER	1
70	94733200	SPRING	1
71	90357500	O-RING	3
72	97480000	BALL	1
73	90506500	BACK UP RING	2
74	90382200	O-RING	2
75	36318970	PISTON	1
76	90502500	BACK UP RING	1
77	36316570	VALVE GUIDE	1
78	90358900	O-RING	1
79	90507500	BACK UP RING	1
80	36319066	VALVE	1
81	99150900	SCREW	1
82	36316466	VALVE SEAT	1
83	90383200	O-RING	1
84	10007870	NIPPLE, 3/8 BSPP	1
	10014770	NIPPLE, M22 (optional)	
	10031870	NIPPLE, 3/8 NPT (optional)	
86	51120141	UI MANIFOLD	1
87	98205700	CAP	1
88	98204100	CAP	1
89	90382200	O-RING	1
90	10015166	2 MM NOZZLE	1
91	90358200	O-RING	1
92	94821700	SPRING	1
93	97478200	BALL	1
94	90357200	O-RING	1
95	94738300	SPRING	1
96	90358000	O-RING	1
97	36318151	BODY	1
98	90358500	O-RING	1
99	36256370	VALVE SEAT	1
100	36256470	SHUTTLE	1
101	36256551	KNOB	1
102	90357000	O-RING	2
103	36256670	COUPLING	1
	OPTIONAL		
104	70115	O-RING	1
105	680006	FITTING	1
106	700004	FILTER	1
	ZOFILKIT	CHEM. TUBE.& STRAINER	

Seal Kit: 3 x RKI096
Valve Kit: RKI123



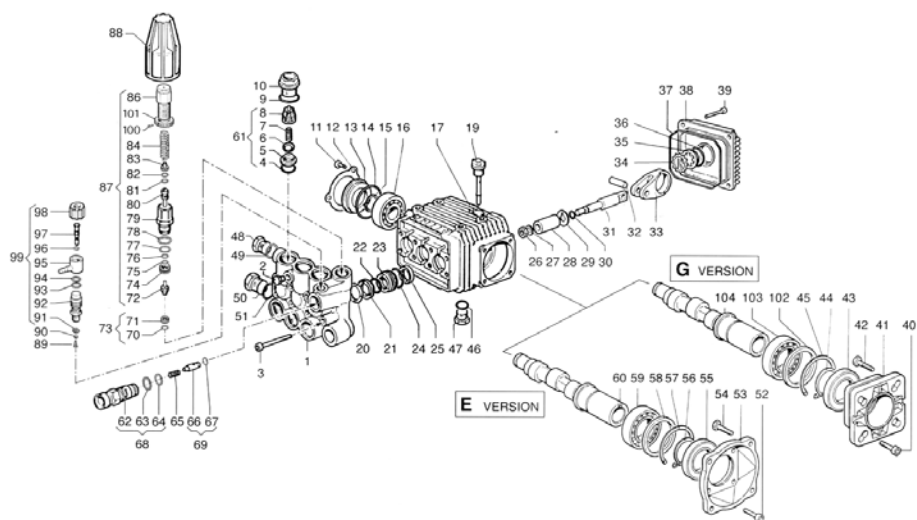
ITEM	PART	DESCRIPTION	QTY.
1	3218012600	MANIFOLD 0 15 BRASS	1
	3218012700	MANIFOLD 0 15 BRASS	1
2	3202001800	CAP G 1/8	1
3	3609015200	SCREW M8 X 55	8
	3609015600	SCREW M8 X 55	8
4	1210004600	O-RING 2,62 X 17,13 MM	6
5	3009008700	VALVE SEAT	6
6	3604001700	VALVE PLATE	6
7	1802017700	SPRING	6
8	1205002500	VALVE GUIDE	6
9	1210004800	O-RING 2,62 X 20,24 MM	6
10	3202023900	CAP	6
11	3609008800	SCREW M5 X 10	3
12	1004001200	CRANKCASE COVER	1
13	0402017200	SPACER	1
14	1210038600	O-RING 3,53 X 44,04 MM	1
15	3019001100	SNAP RING	1
16	0438006900	BALL BEARING 20 X 52 X 15 MM	1
17	0403012800	CRANKCASE	1
	0403014100	CRANKCASE	1
19	3200005100	OIL DIPSTICK	1
20	0009019600	HEAD RING O15 MM	3
21	1241003400	PACKING O15 MM	3
22	0009022300	RING O15 MM	3
23	1241003000	PACKING 15 X 22 X 5,5 MM	3
24	0009022200	RING O15 MM	3
25	1210022300	O-RING 1,78 X 26,7 MM	3
26	0019009500	OIL SEAL 15 X 24 X 5 MM	3
27	0600004800	NUT	3
28	2811008000	WASHER 8,2 X 14 X 1,5 MM	3
29	0202002000	PISTON O15 MM	3
30	2812003800	WASHER	3

Comet ZWD Pump Breakdown

ITEM	PART	DESCRIPTION	QTY.
31	1210005500	O-RING 1,78 X 6,07 MM	3
32	2409004400	PISTON GUIDES	3
33	3011001400	WRIST, PIN	3
34	0205005000	CON. ROD	3
35	3019003300	SNAP RING O18 MM	1
36	3201001200	OIL INDICATOR	1
37	1210033300	O-RING 1,78 X 23,52 MM	1
38	1210020600	O-RING 2,62 X 101,27 MM	1
39	0402022000	CRANKCASE COVER	1
40	3609004100	SCREW M6 X 25	4
41	3609003200	SCREW M6 X 20	4
42	2811002300	WASHER 6,6 X 18 X 2 MM	4
43	3607016800	SCREW 3/8" 16 X 1"	4
44	3607011900	SCREW 5/16" 24" X 1"	4
45	3016002300	FLANGE 1"	1
46	0019010200	OIL SEAL 40 X 62 X 7 MM	1
47	3020001200	SNAP RING C 72	1
48	0204003800	BUSHING	1
49	0437004500	ROLLER 40 X 47 X 16 MM	1
50	0001038600	CRANKSHAFT 1"	1
	0001038600	CRANKSHAFT 1"	1
	0001039800	CRANKSHAFT 1"	1
51	1210044100	O-RING 2 X 14 MM	1
52	3200000700	CAP 3/8 GAS OT 58	1
53	3200000700	CAP 3/8 GAS OT 58	1
54	2811008400	WASHER 16,7 X 22 X 1,5 MM	1
55	3202001500	CAP G 1/2	1
56	2811008600	WASHER 21,2 X 27 X 1,5 MM	1
65	1220003000	VALVE ASS. BLY.	6

Seal Kit: 5019006400

Valve Kit: KIT001



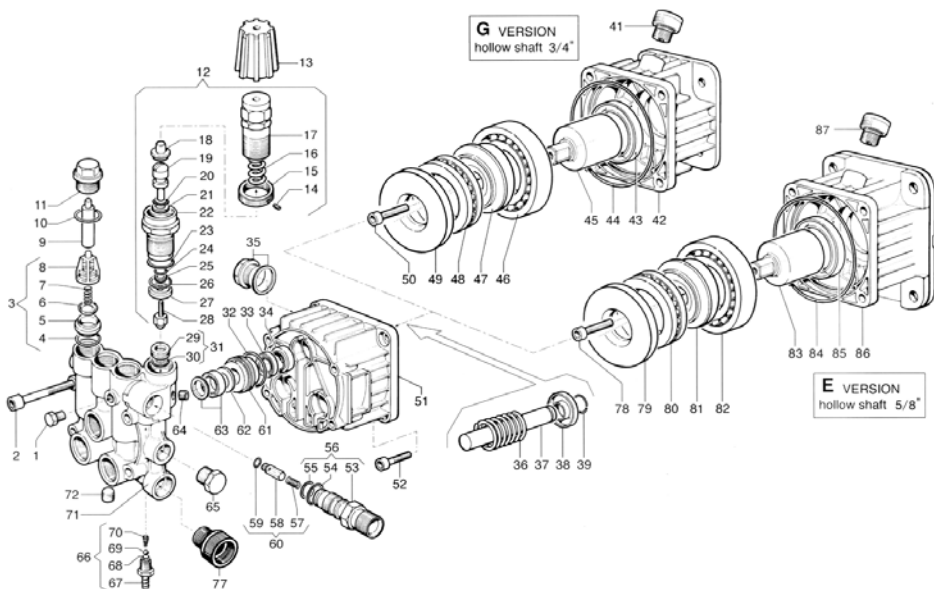
ITEM	PART	DESCRIPTION	QTY.
1	3218011200	MANIFOLD 15mm	1
2	3202001800	CAP G1/8	1
3	3609010800	SCREW M6x55	8
	3609015200	SCREW M6x55	8
4	1210004600	O-RING 2,62 x 17,13mm	6
5	3009008700	VALVE SEAT	6
6	3604001700	VALVE PLATE	6
7	1802017700	SPRING	6
8	1205002500	VALVE GUIDE	6
9	1210004800	O-RING 2,62 x 20,24mm	6
10	3202015500	CAP	6
11	3609008800	SCREW M5 x 10	3
12	1004001200	CRANKCASE COVER	1
13	0402017200	SPACER	1
14	1210038600	O-RING 3,53 x 44,04mm	1
15	3019001100	SNAP RING	1
16	0438006600	BALL BEARING 20x52x15mm	1
	0438006900	BALL BEARING 20x52x15mm	1
17	0403012800	CRANKCASE	1
19	3200005100	OIL DIPSTICK	1
20	0009019600	HEAD RING 15mm	3
21	1241003400	PACKING 15mm	3
22	1241003000	PACKING 15x22x5.5mm	3
23	0009019800	PACKING RETAINER 15mm	3
24	1210022300	O-RING 1,78x 26,7mm	3
25	0019009500	OIL SEAL 15x24x5mm	3
26	0600004800	NUT	3
27	2811008000	WASHER 8,2x14x1,5mm	3
28	0202002000	PISTON 15mm	3
29	2812003800	WASHER	3
30	1210005500	O-RING 1,78x 6,07mm	3
31	2409004400	PISTON GUIDES	3
32	3011001400	WRIST, PIN	3
33	0205004800	CON. ROD	3
	0205005000	CON. ROD	3
34	3019003300	SNAP RING 18mm	1
35	3201001000	OIL INDICATOR	1
36	1210033300	O-RING 1,78x 23,52mm	1
37	1210020600	O-RING 2,62x 101,27mm	1
38	0402014200	CRANKCASE COVER	1
39	3609004100	SCREW M6x25	4
46	1210044100	O-RING 2x 14mm	1
47	3200000700	CAP 3/8 GAS OT58	1
48	3200000700	CAP 3/8 GAS OT58	1
49	2811008400	WASHER 16,7x22x1,5mm	1
50	3202001500	CAP G1/2	1
51	2811008600	WASHER 21,2x27x1,5mm	1

Comet LWD-K Pump Breakdown

ITEM	PART	DESCRIPTION	QTY.
61	1220003000	VALVE ASS. BLY.	6
62	3410029000	INJECTOR BODY M22x1,5	1
	3410028800	INJECTOR BODY 3/8" NPT	1
63	1210039800	O-RING	1
64	1210040200	O-RING	1
65	1802017900	SPRING	1
66	2409007600	CHECK VALVE	1
67	1210039700	O-RING	1
68	3410028900	INJECTOR BODY KIT M22x1,5	1
	3410028700	INJECTOR BODY KIT 2/8" NPT	1
69	2409007500	CHECK VALVE KIT	1
70	1210040300	O-RING 1,78x8,73mm VT	1
71	3009012200	VALVE SEAT	1
72	3002050800	HOUSING WITH BALL	1
73	3009001300	SEAT KIT	1
74	0009020400	RING	1
75	0009020500	BACK RING	1
76	1210040500	O-RING	1
77	1210040400	O-RING	1
78	1210040700	O-RING	1
79	0204004500	HOUSING	1
80	2409007700	PISTON ROD	1
81	1210040600	O-RING	1
82	0009020600	BACK UP RING	1
83	0009020700	SEAT	1
84	1802018100	SPRING	1
	1802018200	SPRING	1
86	0204004300	ADJUSTABLE KNOB	1
	0204004600	ADJUSTABLE KNOB	1
87	1215021300	PRESS. VALVE KIT 1885 p.s.i.	1
	1215027100	PRESS. VALVE KIT 2610 p.s.i.	1
88	1817004500	HANDLE	1
89	1802018000	SPRING	1
90	3003002600	BALL	1
91	2812006700	WASHER	1
92	2803037300	NIPPLE	1
93	1210040100	O-RING	1
94	1210039900	O-RING	1
95	2801006000	HOSE BARB FITTING	1
96	1210040000	O-RING	1
97	0015017100	ROD	1
98	1817004600	CHEMICAL KNOB	1
99	3301054300	ADJUSTABLE INJECTOR KIT	1
100	3622003000	STOP ADJUSTABLE NUT M4 X 4	1
101	1227002200	NUT	1
40	3609003200	SCREW M6 X 20	4
41	3016001200	FLANGE	4
42	3607019900	CREW 5/16" 24 X 3/4"	4
43	0019007500	OIL SEAL 35 X 62 X 7 MM	1
44	3019000400	SNAP RING C72	1
45	3020001200	SNAP RING C72	1
102	2812006400	WASHER	1
103	0438001500	BALL BEARING 35 X 62 X 14 MM	1
	0438007000	BALL BEARING 35 X 62 X 14 MM	1
104	0001033400	CRANKSHAFT 3/4"	1
	0001033500	CRANKSHAFT 3/4"	1
	0001038300	CRANKSHAFT 3/4"	1
	0001038400	CRANKSHAFT 3/4"	1
	0001040600	CRANKSHAFT 3/4"	1

Seal Kit: 5019003500

Valve Kit: 5025001100

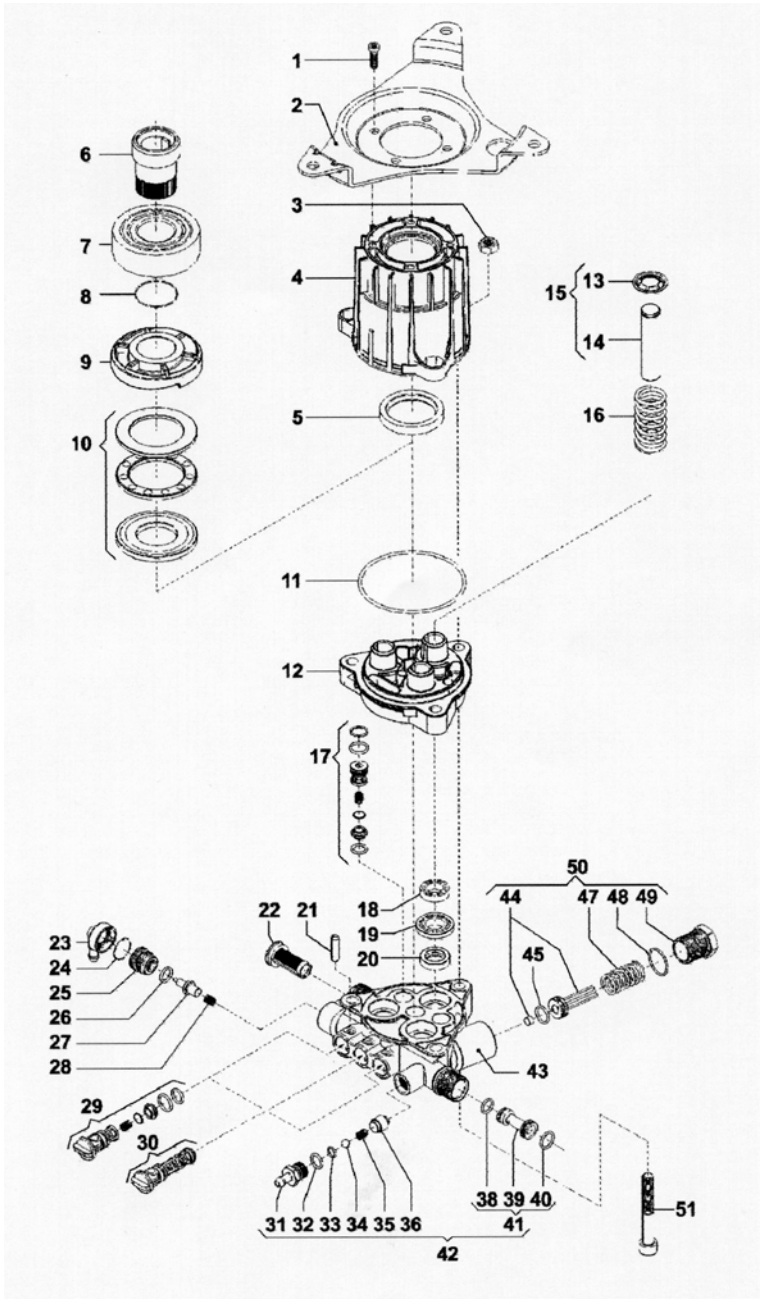


ITEM	PART	DESCRIPTION	QTY.
1	3202001800	CAP 1/8"	1
2	3609015600	SCREW M8x55	4
3	1220004500	VALVE KIT	6
4	1210004900	O-RING 1,78x12.42	6
5	3009012900	VALVE SEAT	6
6	3604002800	SUC./DEL. VALVE	6
7	1802019200	SPRING	6
8	1205003300	VALVE CAGE	6
9	0601027300	SPACER	2
10	1210015100	O-RING 1,78x17.17	6
11	3202023600	PLUG	6
12	1215027100	REG.VAL KIT FOR AX 180 BAR	1
13	1817005300	KNOB	1
14	3622003000	STOP ADJUSTABLE NUT M4x4	1
15	1227002200	NUT	1
16	1802018200	SPRING	1
17	0204004600	ADJUSTABLE KNOB	1
18	0009020700	SEAT	1
19	2409007700	PISTON ROD	1
20	1210040600	O-RING	1
21	0009020600	RING	1
22	0204004500	HOUSING	1
23	1210040700	O-RING	1
24	1210040500	O-RING	1
25	0009020500	RING	1
26	1210040400	O-RING	1
27	0009020400	RING	1
28	3002050800	HOUSING WITH BALL	1
29	3009012200	SEAT	1
30	1210040300	O-RING	1
31	3009001300	VALVE SEAT	1
32	1210035600	O-RING 1,78x25,12	3
33	1241005000	PISTON SEAL 14	3
34	0019010300	SEALING RING	3
35	3201001800	OIL LEVEL PLUG	1
36	1802015300	SPRING	3
37	2409008900	PISTON	3
38	0009022100	RING	3
39	0009022000	RING 14	3

Comet AXD Pump Breakdown

ITEM	PART	DESCRIPTION	QTY.
51	04030135.00	PUMP CRANKCASE	1
52	36090005.00	SCREW M8x20	4
53	34100295.00	INJECTOR BODY M22x1,5	1
	34100298.00	INJECTOR BODY 3/8" NPT	1
54	12100049.00	O-RING 1,78x12,42	1
55	12100040.00	O-RING 1,78x15.6	1
56	34100302.00	INJECTOR BODY KIT M22x1,5	1
	34100303.00	INJECTOR BODY KIT 3/8" NPT	1
57	18020197.00	SPRING	1
58	24090086.00	CHECK VALVE	1
59	12100397.00	O-RING	1
60	24090091.00	CHECK VALVE KIT	1
61	00090219.00	RING	3
62	00090230.00	RING	3
63	12410055.00	PISTON SEAL 150 BAR	3
	12410056.00	PISTON SEAL 180 BAR	3
64	32000017.00	PLUG 1/8x8	1
65	32000007.00	PLUG 3/8 GAS OT58	1
66	28030435.00	INJECTOR KIT	1
67	28030425.00	HOSE BARB FITTING	1
68	28120067.00	O-RING	1
69	30030026.00	BALL	1
70	18020180.00	SPRING	1
71	32180299.00	PUMP VALVE CHAMBER	1
72	32000017.00	PLUG 1/8x8	1
77	28000081.00	GARDEN HOSE TAIL E VERSION	1
78	36090005.00	SCREW M8x20	1
79	28160025.00	THRUST BEARING	1
80	04360016.00	AXIAL BEARING	1
81	00010431.00	ECCENTRIC SHAFT 6 DEG.	1
	00010417.00	ECCENTRIC SHAFT 8 DEG.	1
	00010419.00	ECCENTRIC SHAFT 9 DEG.	1
82	04380076.00	BALL BEARING 40x80x18mm	1
83	00010422.00	ECCENTRIC SHAFT 5/8"	1
84	12100429.00	O-RING	1
85	00190034.00	SEALING RING 40x55x7	1
86	30020538.00	SUPPORT	1
87	32000071.00	PLUG G3/8	1

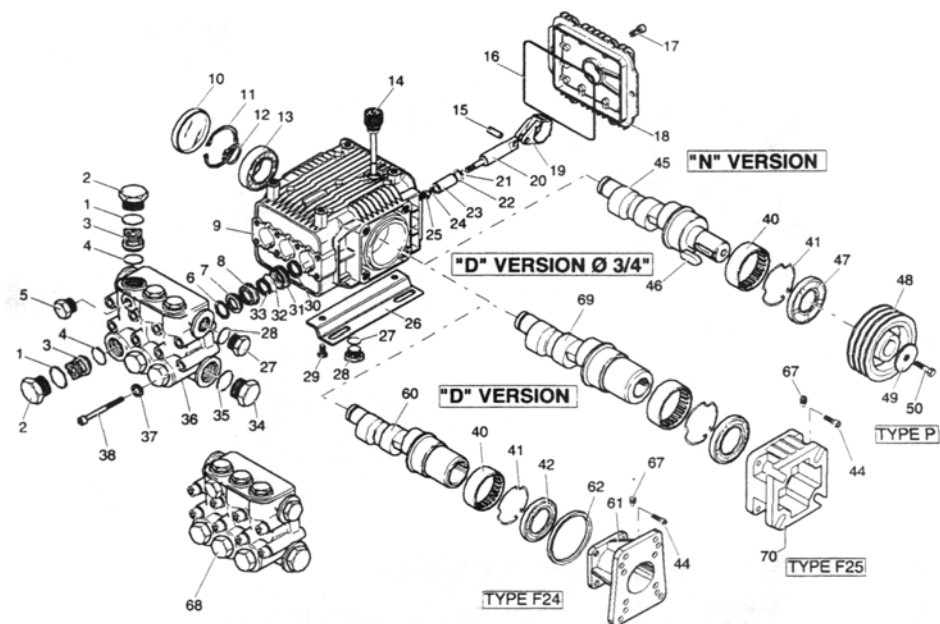
Seal Kit: 5019007700 (2520G, 3020G)
Seal Kit: 5019007800 (3025G, 2020E, 3020E)
Valve Kit: 5025001400



Comet VRX 2017V Pump Breakdown

ITEM	PART	DESCRIPTION	QTY.
1	3625005100	SCREW M6x16	4
2	3002055300	SUPPORT	1
3	0604001500	NUT M8	3
4	0403015000	PUMP CRANKCASE	1
5	0019011200	OIL SEAL 35x47x7	1
6	0031001300	PUMP CRANKSHAFT 7/8" L=46	1
	0031001100	PUMP CRANKSHAFT 7/8" L=80	1
7	0438008400	BALL BEARING 30x62x16	1
8	1210039400	O-RING 2x25	1
9	0001045900	ECCENTRIC SHAFT	1
10	0436002000	AXIAL BALL BEARING	1
11	1210039100	O-RING 2.62x75.87	1
12	2432001800	PUMP CRANKCASE	1
13	0009026700	RING	3
14	2409009900	PISTON 14	3
15	5026026000	PISTON KIT	3
16	1802021300	PISTON SPRING	3
17	1220005400	SUCTION VALVE	3
18	0019011100	OIL SEAL 14x22x5/7	3
19	0009026800	PACKING RETAINER	3
20	1241003300	PACKING 14x22x6	3
21	3021003200	ELASTIC PIN 6x22	3
22	1002013200	SUCTION FILTER	1
29	1220005700	DELIVERY VALVE	2
30	1220005600	DELIVERY VALVE	1
31	2800010400	DETERGENT STRAIGHT HOSE TAIL	1
32	1210046500	O-RING 1.78x8.73	1
33	1210046600	O-RING 1.5x6	1
34	3003003300	BALL 9/32"	1
35	1802021600	SPRING	1
36	0204005100	BUSHING	1
38	1210046500	O-RING 1.78x8.73	1
39	0801006600	DETERGENT INJECTOR	1
40	1210017000	O-RING 1.78x10.82	1
41	3410032200	DETERGENT INJECTOR KIT	1
42	5026026100	DETERGENT KIT	1
43	3218033300	MANIFOLD STD. VERSION	1
44	0110000300	REGULATION VALVE KIT	1
45	1210039300	O-RING 2x12	1
47	1802021500	VALVE SPRING	1
48	1210039200	O-RING 2x16	1
49	3202027400	PLUG	1
50	5026026400	VALVE KIT	1
51	3609001400	SCREW M8x55	3
THE FOLLOWING ARE FOR THE THERMO VALVE VERSION ONLY			
23	2801007900	THERMO VALVE COVER	1
24	1210004300	O-RING 1.78x11.11	1
25	0424038100	THERMO VALVE BODY	1
26	1210047500	O-RING 2.62x9.19	1
27	3230003100	THERMO VALVE ROD	1
28	1802021700	SPRING	1
43	3218031100	MANIFOLD	1

Seal Kit: 5026026500
Valve Kit: 5026026300



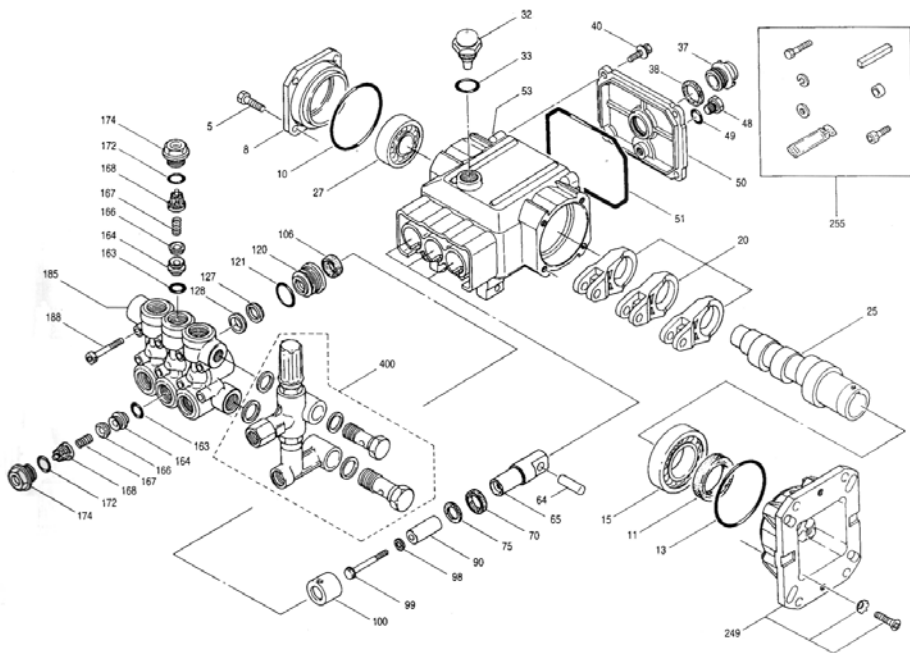
ITEM	PART	DESCRIPTION	QTY.
1	960160	O-RING	6
2	1260162	PLUG (442 IN lbs)	6
3	1269050	COMPLETE VALVE	6
4	880830	O-RING	6
5	620301	PLUG	1
6	1780130	SUPPORT RING	3
7	1260130	GASKET	3
8	1780090	PISTON GUIDE	3
9	1780010	PUMP BODY	1
10	1266740	CAP CIRCLIP SNAP RING	1
11	1260790	BEARING	1
12	1780550	OIL CAP	1
13	1780490	BEARING	1
14	880130	OIL CAP	1
15	1780050	PISTON PIN	3
16	1780510	O-RING	1
17	1200430	SCREW (106 IN lbs)	6
18	1789010	COMPLETE COVER	1
19	1780040	CON ROD	3
20	1780060	GUIDING PISTON	3
21	480480	O-RING	3
22	1260091	SPACER DISC	3
23	1780070	PISTON	3
24	1260100	PISTON WASHER	3
25	1260110	NUT (106 IN lbs)	3
26	1380141	BASE	2
27	740290	O-RING	2
28	880530	PLUG	2
29	1260470	SCREW	4
30	1260460	SEAL	3
31	1780100	REAR PISTON GUIDE	3
32	770260	O-RING	2
33	1260440	GASKET	3
34	820360	PLUG	1
35	180101	O-RING	1
36	1780380	HEAD (133 IN lbs)	1
37	1381550	WASHER	8

AR XMV Pump Breakdown

ITEM	PART	DESCRIPTION	QTY.
38	1322730	SCREW (133 IN lbs)	8
40	1321190	BEARING	1
41	1321080	SNAP RING	1
42	480671	SEAL	1
44	180030	SCREW	4
	1780231	CRANK SHAFT	1
45	1780191	CRANK SHAFT	1
46	1380520	KEY	1
47	1260750	SEAL	1
	1780590	HOLLOW SHAFT 3/4"	1
48	1780340	HOLLOW SHAFT 1"	1
60	1780320	HOLLOW SHAFT 1"	1
61	1597	GAS ENGINE FLANGE FOR 1" SHAFT	1
61	1780580	GAS ENGINE FLANGE FOR 3/4" SHAFT	1
62	1780430	BUSHING	1
67	820440	GRUB SCREW	1
68	1789200	PUMP HEAD PRE-ASSEMBLY	1

Seal Kit: AR2741

Valve Kit: AR1864

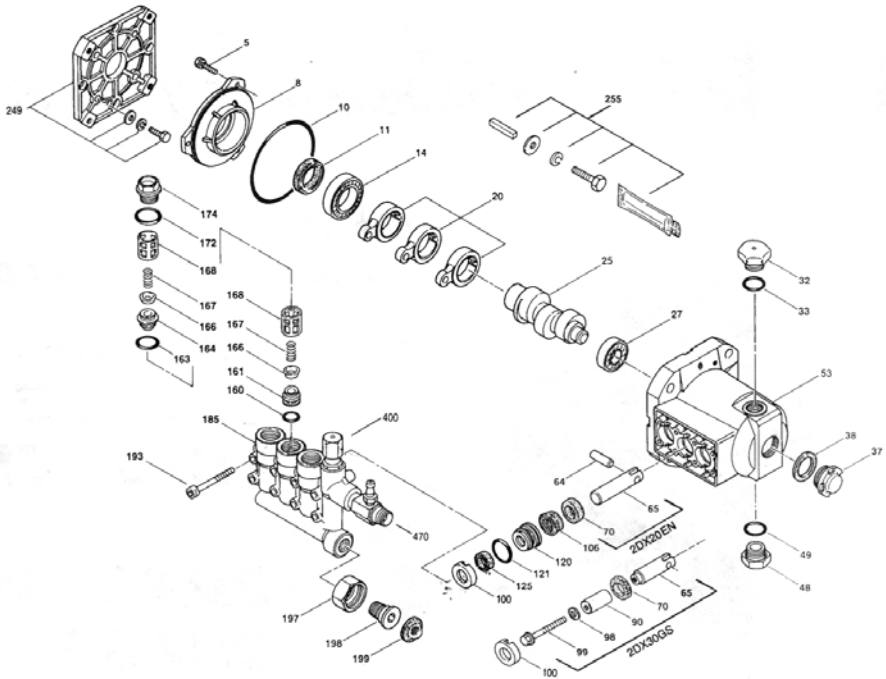


ITEM	PART	DESCRIPTION	QTY
5	92521	SCREW HHC (M8x20)	4
8	46461	COVER, BEARING	1
10	14037	O-RING, BEARING COVER	1
11	46419	SEAL, OIL, CRANKSHAFT	1
13	14037	O-RING, BEARING COVER	1
15	146421	BEARING, BALL-INNER	1
20	46677	CONNECTING ROD	3
25	46985	CRANKSHAFT (6.4mm) 30G1	1
	46551	CRANKSHAFT (7.9mm) 35G1	1
	46460	CRANKSHAFT (9.0mm) 40G1	1
	48468	CRANKSHAFT (11.2mm) 50G1	1
27	14480	BEARING, BALL-OUTER	1
32	46798	CAP, DOMED OIL FILLER	1
33	14179	O-RING, OIL FILLER	1
37	43987	GAUGE, OIL BUBBLE	1
38	44428	GASKET, FLAT FLEX	1
40	92519	SCREW, HHC (M6x16)	4
48	25625	PLUG, DRAIN (1/4"x11)	1
49	23170	O-RING, DRAIN PLUG	1
50	46379	COVER, CRANKCASE	1
51	14048	O-RING, CRANKCASE COVER	1
53	46454	CRANKCASE	1
64	46404	PIN, RIST	3
65	46728	ROD, PLUNGER	3
70	29257	SEAL, OIL, CRANKCASE	3
75	46732	SLINGER, BARRIER	3
90	46727	PLUNGER	3
98	46730	WASHER SEAL, PLUNGER RETAINER	3
99	46729	RETAINER, PLUNGER	3
100	46408	RETAINER, SEAL	3
106	48222	SEAL, LPS	3
120	46471	CASE, SEAL	3
121	13980	O-RING, SEAL CASE	3
127	46617	V-PACKING	3

Cat 50X Pump Breakdown

ITEM	PART	DESCRIPTION	QTY
128	46618	ADAPTOR, MALE	3
163	47547	O-RING, SEAT 85	6
164	46658	SEAT	6
166	46429	VALVE	6
167	43750	SPRING	6
168	46583	RETAINER	6
172	17615	O-RING, VALVE PLUG 75	6
174	46388	PLUG, VALVE	6
185	46526	HEAD, MANIFOLD	1
188	87868	SCREW, HSH (M8x107)	8
249	46679	FLANGE, MOUNT	1
	46123	LOCKWASHER, TOOTHED (M8)	4
	46403	SCREW, FH (M8x25)	4
255	30519	KIT, BOLT MOUNT	1
	34100	SCREW (3/8-16x1-3/8")	4
	30921	LOCKWASHER, SPLIT (3/8")	4
	30980	WASHER, FLAT (3/8")	4
	6106	ANTISEIZE LUBRICANT	1
	45217	KEY (1/4"x1/4"x2-1/2") HD	1
	34042	SPACER	4
	87788	SCREW, SET (M5x*)	1
300	34062	KIT, SEAL (INCLDS:98,106,121,127,128)	1
310	34060	KIT, VALVE (INCLDS:163,164,166,167,168,172)	2
400	7655	MODULAR UNLOADER ASSEMBLY	1
	7659	MODULAR UNLOADER ASSEMBLY	1

Seal Kit: 34062
Valve Kit: 34060 x 2



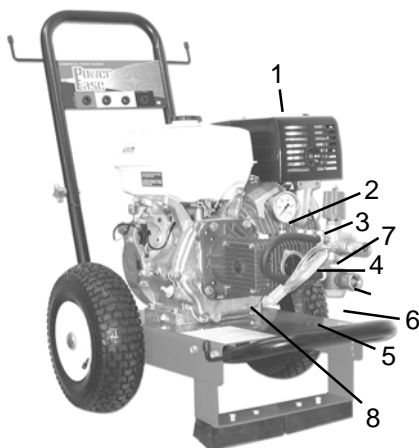
ITEM	PART	DESCRIPTION	QTY.
5	817003	SCREW, HH W/ SW (M6x12)	3
8	46225	COVER, BEARING	1
10	14041	O-RING, BEARING COVER -70	1
11	55337	SEAL, OIL	1
14	14488	BEARING, BALL	1
20	46228	ROD, CONNECTING	3
25	542981	CRANKSHAFT (4.2mm) (3450)	1
	543295	CRANKSHAFT (6.2mm) (3400)	1
27	13832	BEARING, BALL	1
32	45690	CAP, OIL FILLER	1
33	14179	O-RING, OIL FILLER CAP -70	1
37	43987	GAUGE, BUBBLE OIL	1
38	44428	GASKET, FAT FLEX, OIL GAUGE	1
48	44842	PLUG, DRAIN (1/2" NPT)	1
49	14179	O-RING, DRAIN PLUG	1
53	542407	CRANKCASE	1
64	46229	PIN, RIST	3
65	542402	ROD, PLUNGER (2DX20E,2DX30GS)	3
	46628	ROD, PLUNGER (2DX20EN,2DX30GNS)	3
70	47215	SEAL, OIL	3
90	542403	PLUNGER (2DX30GS)	3
98	46730	WASHER, SEAL	3
99	542405	RETAINER, PLUNGER (M6x35)	3
100	46233	RETAINER, SEAL	3
106	48222	SEAL, LPS W/S-SPG	3
120	46436	CASE, SEAL	3
121	13976	O-RING, SEAL CASE	3
125	46240	SEAL, HPS W/S	3
160	13965	O-RING, INLET VALVE SEAT	3
161	46760	SEAT, INLET	3
163	19285	O-RING, SEAT	6
164	46761	SEAT, DISCHARGE	6
166	46764	VALVE	6

Cat 20X Pump Breakdown

ITEM	PART	DESCRIPTION	QTY.
167	46865	SPRING	6
168	543988	RETAINER, SPRING	6
172	11338	O-RING, PLUG	6
174	46759	PLUG, VALVE (M22x1.5)	6
185	542973	HEAD, MANIFOLD W/MODULAR UNLDR BODY	1
193	542406	SCREW, HSH (M6x60)	8
197	46488	FITTING, (3/8" NPT)	1
198	46487	NUT, SWIVEL (3/4")	1
199	46489	SCREEN, INLET	1
249	30520	KIT, ADAPTOR MOUNT, STANDARD,GAS	1
	46789	FLANGE	1
	44843	SCREW, HH (5/16"-24UNFx20)	4
	15845	LOCKWASHER (M8)	4
	12489	WASHER, FLAT (M8)	4
255	30516	KIT, BOLT MOUNT, ELECTRIC/ GAS	1
	34100	SCREW, HH (3/8"-16UNCx1-3/8")	4
	30980	WASHER, FLAT (3/8")	4
	30921	LOCKWASHER (3/8")	4
	6106	LUBRICANT, ANTI-SEIZE	1
	34050	KEY (3/16x3/16x27 HD)	1
300	33053	KIT, SEAL (INCLDS:98,106,121,125)	1
310	33057	KIT VALVE (INCLDS: 160,161,163,164,166,167,168,172)	2
400	---	UNLOADER, MODULAR-SEE INDIVIDUAL PARTS	1
470	---	INJECTOR, CHEMICAL-SEE INDIVIDUAL PARTS	1

Seal Kit: 33053
Valve Kit: 33057

Identification Des Composantes



1. Silencieux du moteur: Veuillez éviter de vous appuyer ou de mettre la main sur le silencieux lorsque vous mettez en marche ou arrêtez la machine. (CHAUD!!!)
2. Jauge d'acier inoxydable; forte pression; rempli de glycérine.
3. Valve de déchargement; pour ajuster la pression utilisée par la machine.
4. Équipement d'injection du détergent; pour accroître la capacité de nettoyage.
5. Soupape d'arrivée d'injection du détergent; pour aspirer le détergent.
6. Soupape d'entrée du filtre à eau; pour tuyau d'arrosage; située près du déchargeur.
7. Valve thermique; pompe de sauvegarde contre le surchauffage.
8. Piston de pompe refroidisseur d'eau.

Avant de commencer

Lire et comprendre toutes les instructions avant d'utiliser votre Laveuse à Pression. Ce Manuel d'opération explique comment utiliser votre Laveuse à Pression. S'assurer que toute personne utilisant, entretenant ou réparant cette machine a lu ce manuel. **LES AVERTISSEMENTS ET LES PRÉCAUTIONS À PRENDRE LORS DE L'OPÉRATION DE VOTRE LAVEUSE À PRESSION DOIVENT ÊTRE COMPRIS.**

Instructions De Sécurité Et Avertissements

Le jet à haute pression projeté par cette machine peut causer de sérieuses blessures. Seules les personnes ayant été entraînées à son utilisation sécuritaire devraient l'utiliser. Respecter tous les avertissements lors de l'utilisation, l'entretien ou la réparation de cette machine.

Utiliser cet équipement seulement dans des endroits bien aérés et à l'abri des matériaux et liquides combustibles, ou de la poussière.

Instructions De Sécurité Et Avertissements

Ignorer cet avertissement peut causer l'accumulation de monoxyde de carbone, un feu, une explosion, et la possibilité de blessures ou de décès .

Pour prévenir les blessures, portez les vêtements de protection suivants:

gants, casque de sécurité, masque, bottes de travail, bouchons d'oreilles, lunettes protectrices



DANGERS D'INJECTIONS: Les liquides à haute pression provenant de jets ou de fuites peuvent pénétrer la peau et causer de très sérieuses blessures incluant la mort ou le besoin d'amputation. Les précautions suivantes doivent être prises lors de l'utilisation de la machine:

NE JAMAIS pointer le pistolet en direction de personnes, de plantes ou d'animaux.

NE JAMAIS essayer d'arrêter ou de rediriger une fuite avec les mains ou le corps.

NE JAMAIS acheter ou utiliser des produits chimiques ou des détergents qui sont toxiques, inflammables ou à base élevée en acide/alcalin, et toujours obtenir une feuille d'instructions de sécurité du produit (FISP) (MSDS) lors de l'achat de votre Laveuse à Pression.

NE JAMAIS utiliser de détergents en poudre ou de produits chimiques qui ne sont pas manufacturés pour la Laveuse à Pression, i.e. détergent pour vaisselle ou pour lessive.

Avertissements Et Précautions

OBTENIR DES SOINS D'URGENCE SI UN LIQUIDE SEMBLE AVOIR PÉNÉTRÉ VOTRE PEAU, MÊME SI LA BLESSURE N'APPARAÎT PAS SÉRIEUSE.

Dire au médecin quel liquide a été injecté et lui donner la feuille d'information (FISP) pour le détergent ou le produit chimique qui a été utilisé.

Avertissements Et Précautions

- ◆ Comprendre TOUTE l'information contenue dans cette section avant de commencer à utiliser votre Laveuse à Pression.
- ◆ S'ASSURER que toutes les composantes du système ainsi que les accessoires soient les originaux ou des composantes et accessoires équivalents.
- ◆ S'ASSURER que la machine est située dans un endroit permettant son utilisation sécuritaire.
- ◆ NE JAMAIS CHANGER OU MODIFIER la Laveuse à Pression, car blessure ou décès de personnes, d'animaux ou de plantes peuvent résulter. De plus, cette action annule la garantie offerte par le manufacturier.
- ◆ NE JAMAIS placer l'équipement près de matériel inflammable, combustible ou de poussières, car des blessures ou un décès peuvent être causés par un feu ou une explosion.
- ◆ NE JAMAIS ARROSER des liquides inflammables ou produits toxiques (comme des insecticides ou des herbicides), car blessure et décès peuvent survenir par cause de feu, d'explosion, ou d'empoisonnement tout en endommageant l'environnement.
- ◆ NE JAMAIS laisser d'enfants ou d'adultes non-entraînés utiliser cette machine.
- ◆ NE JAMAIS porter de vêtements amples et garder vos vêtements et votre corps loin des parties de la machine qui sont en mouvement lorsque la Laveuse à Pression est en marche.
- ◆ NE JAMAIS laisser la Laveuse à Pression sans surveillance lorsqu'elle est en marche. Si vous devez vous absenter, suivre la procédure d'arrêt complet afin de vous assurer que la machine ne sera pas utilisée par une personne non-autorisée et/ou non-entraînée.
- ◆ NE JAMAIS déplacer la machine en tirant sur le tuyau d'arrosage.
- ◆ NE JAMAIS utiliser le pistolet sans une buse dans la rallonge. Cela ferait débarquer l'anneau "O" de raccord et empêcherait votre machine de fonctionner correctement.
- ◆ NE JAMAIS mettre aucun type de serrure sur la détente du pistolet.
- ◆ NE JAMAIS mettre la main sur le moteur ou sur la pompe lorsque la machine est en marche. Rester à l'écart des parties en mouvement de la machine en tout temps.
- ◆ NE JAMAIS laisser s'approcher d'enfants ou d'animaux près de votre aire de travail.
- ◆ FAIRE toujours face face à la Laveuse et pointer le pistolet vers le sol lorsque vous testez l'équipement.
- ◆ NE JAMAIS dépasser la force de pression recommandée.
- ◆ NE JAMAIS changer de buse sous pression sans que le CRAN DE SURETÉ ne soit dans la position "on" ou "lock".
- ◆ NE JAMAIS nettoyer la machine en utilisant le jet provenant de son propre pistolet.
- ◆ N'EXECUTEZ JAMAIS la machine sans eau.

Localisations Des Avertissements et Précautions

- ◆ Cette machine doit être utilisée à ou près de l'aire de travail et toujours être sous la supervision d'un opérateur entraîné.
- ◆ Cette machine devrait être située le plus près possible d'une source d'approvisionnement d'eau.
- ◆ Placer la machine sur une surface solide et de niveau afin que le moteur et la pompe capte l'huile et lubrifie ses composantes proprement. Éviter de la placer dans des endroits où de l'eau peut s'accumuler dans l'aire de travail. Des blessures peuvent être causées par des surfaces rendues glissantes par l'accumulation d'eau.
- ◆ Situer la machine dans des endroits bien aérés et à l'abri des matériaux et des liquides inflammables. S'assurer que les avertissements d'aérations soient bien observés. Garder la Laveuse à Pression à un minimum de 18" de tout matériel inflammable.
- ◆ Placer la machine de façon à ce que l'opérateur ait facilement accès à la Laveuse à Pression et à ses contrôles.
- ◆ Situer la machine de façon à la protéger de dommages extérieurs.
- ◆ Pour prévenir l'endommagement et l'usure excessive du tuyau d'arrosage, placer la Laveuse à Pression de façon à ce que le tuyau d'arrosage ne TRAVERSE pas la circulation dense.

Précautions Concernant Le Moteur À Gaz

UN FEU OU UNE EXPLOSION POUVANT CAUSER DES BLESSURES PEUVENT SURVENIR SI LES DIRECTIVES SUIVANTES NE SONT PAS SUIVIES:

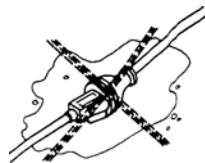
1. **NE PAS REMPLIR** le réservoir d'essence lorsque le moteur est en marche. Laisser le moteur refroidir deux minutes avant de refaire le plein.
2. **NE PAS OPÉRER** le moteur lorsqu'une odeur de gaz est présente, ou lorsque d'autres conditions pouvant créer une explosion sont présentes.
3. **SI DU GAZ SE RÉPAND**, déplacer la machine de cet endroit et éviter de créer une source d'ignition jusqu'à ce que le gaz se soit évaporé.
4. **NE PAS RANGER, RÉPANDRE OU UTILISER** de l'essence près d'une flamme tel que poêle, fournaise, chauffe-eau qui utilise une flamme pilote, ou tout appareil qui peut créer une étincelle.
5. **REFAIRE LE PLEIN D'ESSENCE À L'EXTÉRIEUR** de préférence, ou dans des endroits bien aérés en utilisant de L'ESSENCE SANS PLOMB.
6. **NE PAS OPÉRER** cette machine sans silencieux. Son opération sans silencieux, ou avec un silencieux percé à cause de la rouille ou endommagé, entraîne une augmentation du niveau de bruit. Inspecter le silencieux périodiquement et remplacez-le lorsque le besoin s'en fait sentir.

Précautions Concernant Le Moteur À Gaz

7. **NE PAS UTILISER** cette machine sur un terrain en friche tel que forêt, broussailles ou gazon, à moins qu'un mécanisme pare-étincelle soit attaché au silencieux.
8. **NE PAS EMPLOYER** la Laveuse à Pression si le filtre à air ou la bêche située directement sur l'entrée d'air du carburateur ne sont pas présentes.
9. **NE PAS ÉTRANGLER** le carburateur pour arrêter le moteur.
10. **NE PAS TOUCHER** au régulateur de suspension, liens de suspension ou tout autre partie pouvant entraîner l'augmentation de la vitesse du moteur.
11. **NE PAS TENTER** de modifier la vitesse du moteur qui a été fixée par le manufacturier de l'équipement original.
12. **ATTENTION-NE PAS EMPLOYER À VITESSE EXCESSIVE.**
L'opération à vitesse excessive augmente les risques de blessures personnelles.
13. **NE PAS toucher** les silencieux, cylindre et ailettes chaudes car le contact avec ceux-ci peut entraîner des brûlures.
14. **POUR ÉVITER DES BLESSURES AUX MAINS OU AUX BRAS,** tirer toujours rapidement sur la corde du démarreur afin d'éviter le retour de la manivelle.

Précautions Concernant Le Moteur Électrique

- **NE PAS ARROSER** le moteur directement pour éviter un choc électrique.
- **ÉVITER** tout contact de la prise de courant électrique avec l'eau. **EMPLOYER AVEC PRÉCAUTION.**
- **S'ASSURER** que l'interrupteur est en position "off" avant de brancher la machine.
- **S'ASSURER** d'utiliser la phase et le voltage corrects.
- Ne pas modifier la prise qui accompagne le produit. Si elle ne convient pas à votre prise de courant, demander à un électricien qualifié d'installer la prise de courant appropriée.
- **N'UTILISER** aucun type d'adaptateur avec ce produit.



Il est recommandé de connecter votre Laveuse à Pression à une prise de disjoncteur de fuite à la terre (DDFT). Ce moteur doit être connecté à une prise de courant à la terre. Si elle ne fonctionne pas ou si elle se brise, cette connection à la terre permet d'avoir un sentier de moins de résistance pour le courant électrique afin de réduire le risque de choc électrique. Cette machine est équipée d'une fiche ayant une prise d'équipement conducteur à la terre et d'une prise à la terre. Cette prise doit être branchée à une prise de courant appropriée qui a été installée et mise à terre en accord et avec les codes et ordonnances locaux.

Précautions Concernant Le Moteur Électrique

Danger-Une connection inappropriée de l'équipement conducteur à la terre peut entraîner une électrocution. Vérifier avec un électricien qualifié ou personnel de service si vous n'êtes pas certain que la prise de courant est proprement connectée à la terre.

Cordes D'Extensions

IL N'EST PAS recommandé d'utiliser des cordes d'extension avec cette machine. Si l'utilisation de cordes d'extension est nécessaire, les directives suivantes doivent être suivies:

UTILISER SEULEMENT UNE CORDE D'EXTENSION AVEC TROIS PATTES DONT UNE PRISE À LA TERRE ET AYANT L'AMPÉRAGE APPROPRIÉ

Pour égaler celui de la Laveuse à Pression utilisé. Utiliser **SEULEMENT** des cordes d'extension qui sont pour l'extérieur. Celles-ci portent l'inscription suivante: "Acceptable pour les appareils extérieurs. Ranger à l'intérieur lorsque non-utilisées". Utiliser seulement des cordes d'extension ayant un grade non inférieur à celui du produit.

NE PAS UTILISER de cordes endommagées et **NE PAS TIRER** sur les cordes pour les débrancher. Garder la corde d'extension à l'abri de la chaleur et des coins pointus.

TOUJOURS débrancher les cordes de la prise de courant avant de déconnecter le produit des cordes d'extension. Les cordes d'extension doivent être connectées à une prise de courant à la terre équipée avec un DDFT (Détecteur de fuite à la terre-Prise à disjoncteur de fuite à la terre). Il y a risque d'électrocution si la corde d'extension n'est pas connectée à une prise de courant à la terre qui n'est pas équipée d'un DDFT.

Précautions À Propos De La Pompe

- **NE JAMAIS LAISSER** fonctionner la pompe plus de trois minutes sans ouvrir le pistolet (ceci va endommager la pompe dû à la température excessive de l'eau et va entraîner l'annulation de la garantie).
- **NE JAMAIS LAISSER** fonctionner la pompe lorsque la machine n'est pas connectée à la source d'approvisionnement d'eau. (Ceci va causer la cavitation)
- **NE JAMAIS LAISSER** s'écouler des acides ou des substances dures dans la pompe.
- **NE JAMAIS UTILISER** de produits chimiques ou agents qui ne sont pas compatibles avec le BUNA-N et PVC (polyvinyl) ou le NÉOPRENE qui recouvre le boyau. (Toujours utiliser des détergents à base de citron).
- **NE JAMAIS UTILISER** de l'eau à une température supérieure à 140 degré F.
- Vérifier les fuites, resserrer les connections si nécessaire.

Vérification De Pré-Opération

- S'assurer de bien comprendre toutes les mesures de sécurité et d'avoir été éduqué à l'utilisation sécuritaire de la machine.
- Protéger le visage et les yeux pour prévenir les blessures pouvant être causées par le jet ou les débris volants.
- Porter des gants, des bottes de travail et autres vêtements protecteurs, tel que recommandé.
- S'assurer de bien comprendre toutes les mesures de sécurité et de premiers soins pour les détergents et les produits chimiques utilisés.
- S'assurer que toutes les lignes et tuyaux d'arrosage ne soient pas entortillés ou endommagés. Remplacer tout tuyau endommagé.
- S'assurer que la machine est connectée à une source d'approvisionnement d'eau et que le robinet est ouvert.
- Serrer toutes les connections de fluide de façon sécuritaire.
- S'assurer que le niveau d'huile et d'essence est au bon niveau avant de commencer. (La pompe utilise l'huile BE-UTFH. Le moteur utilise SAE 10-30W. Si la Laveuse à Pression a une boîte de transmission, utiliser de l'huile 90W pour la boîte de transmission.) (Voir le manuel du manufacturier pour la fréquence de changement d'huile du moteur).
- Avant de mettre la machine en marche, s'assurer que la pompe est renflouée et que l'air est purgée du système pour que l'eau puisse s'écouler dans la pompe.

Installation & Utilisation

Suivre ces directives pour l'installation et l'utilisation de votre Laveuse à Pression

1. Positionner votre machine sur un sol solide et de niveau avec des pentes de drainage pour empêcher le liquide de s'accumuler sur le plancher ou sur la surface. Positionner la machine de façon à ce que l'utilisateur ait facilement accès à la Laveuse à Pression et à ses contrôles. S'assurer que les AVERTISSEMENTS à propos de l'AÉRATION soient respectés.
2. S'assurer que la source d'approvisionnement d'eau soit capable de dépasser la production de gallons par minute de la pompe. Si vous vous procurez l'eau d'une source statique et propre au lieu du système d'aqueduc, la Laveuse à Pression doit être amorcée et placée le plus près de la source d'eau. S'assurer que la machine soit placée sur un sol solide de niveau et ne puisse pas être tirée ou poussée dans la source statique. Le tuyau d'admission doit être le plus large possible. Lorsque vous soutirez l'eau d'une source de pression, vous avez besoin d'un tuyau d'arrosage de 5/8" de diamètre extérieur pour des longueurs jusqu'à 50', ou de 3/4" de diamètre extérieur pour des longueurs jusqu'à 100'.
3. Connecter le tuyau d'arrosage à haute pression à la Laveuse à Pression et serrer pour la rendre sécuritaire.

Instructions A Propos De L'Utilisation

AVERTISSEMENTS

Le jet à haute pression utilisé de façon incorrecte peut endommager l'équipement que vous tenter de laver ou son environnement. Pratiquer sur de vieux matériaux en augmentant graduellement la pression appliquée à l'objet en ajustant le pistolet ou en rapprochant le pistolet le plus près de l'objet jusqu'à ce qu'il soit propre sans avoir été endommagé.

Le manufacturier ne garantit pas les dommages causés par l'échec du consommateur à ajuster et utiliser la machine en accord avec les instructions comprises dans le manuel d'opération qu'il a reçu avec l'achat de sa machine.

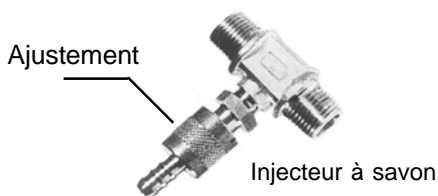
Suivre ces instructions lors de l'opération de cette machine:

1. Utiliser la liste de pré-opération pour aider à diminuer les risques de blessures.
2. Amorcer la pompe et purger l'air du système en pressant la détente du pistolet avant de mettre la machine en marche, avec la machine reliée à une sortie d'eau. Laisser l'eau s'écouler de la rallonge jusqu'à ce que l'air ait été purgé du système.
3. Si le moteur est équipé d'une valve pour l'essence, mettez la valve en position "ON".
4. Fermer le levier du démarreur situé sur le carburateur tel que spécifié par le manufacturier.
5. Mettre l'interrupteur en position "ON".
6. Si le moteur est équipé d'un levier d'accélérateur, mettre le levier en position "MI-GAZ".
7. Pour que la machine démarre de façon plus facile, serrer la détente située sur le pistolet d'arrosage pour permettre à l'eau de passer à travers le pistolet et saisir la poignée du démarreur du moteur. Tirer légèrement sur la prise du démarreur jusqu'à ce que vous sentiez de la résistance, puis tirez brusquement. Répéter cette étape si nécessaire jusqu'à ce que le moteur se mette en marche.
8. Pendant que le moteur se réchauffe, mettre graduellement le levier du démarreur en position "OUVERT".
9. Si le moteur a un levier d'accélérateur, mettez le levier d'accélérateur en position "PLEIN GAZ".
10. Le manufacturier a ajusté la pression de la pompe à la pression maximale d'opération. Ne faites qu'ajuster la pression requise pour nettoyer avec la Laveuse à Pression, si votre rallonge est équipée avec un raccord rapide au pistolet : Installer la buse d'arrosage désirée (0°, 15°, 40°) ou utiliser la buse à savon (celle avec le plus large orifice) en mettant et enlevant rapidement au moyen du connecteur rapide.

Instructions A Propos De L'Utilisation

NE FAIRE QUE LORSQUE LA DÉTENTE DU PISTOLET N'EST PAS PRESSÉE ET QUE LE CRAN DE SURETÉ EST "ON". La buse 0° n'est pas inclu avec 2005HWCOMXE, 1704HWCOMX et 1604BWCOMX.

11. Vous êtes maintenant prêt à utiliser votre Laveuse à Pression.
ATTENTION: Débuter toujours le lavage à haute pression avec la buse à au moins quatre pieds de l'objet qui doit être nettoyé et avancer graduellement plus près de l'objet jusqu'à ce qu'il ait été nettoyé sans avoir été endommagé.
12. Pour soutirer le produit chimique ou détergent, s'assurer que le tube d'aspiration muni du filtre soit installé dans le contenant de produit chimique ou de détergent et submergé dans la solution. Changer la buse de la rallonge pour la buse à savon en laiton et serrer la détente du pistolet. Ajuster la valve de la poignée en laiton du tube d'aspiration du produit chimique dans le sens contraire des aiguilles d'une montre jusqu'à ce que l'application chimique appropriée soit atteinte. (Ajustement non-disponible sur certains modèle. Si aucun réglage, attachment simplement le buse à savon ne lancera l'injecteur.).



13. NE JAMAIS permettre à la pompe de fonctionner pendant plus de trois minutes sans ouvrir le pistolet. Ceci va causer l'endommagement de la pompe dû à la température excessive de l'eau et annuler la garantie. Une valve de protection thermique a été ajoutée à la pompe pour réduire le risque de surchauffe. Cependant des dommages causés à la pompe par une mauvaise utilisation de cette valve ne sont pas couverts par la garantie.
14. Lors de l'utilisation de cette machine, s'assurer que le tuyau d'arrivée d'eau ne soit pas entortillé.
15. Le RPM maximum de la machine a été fixé à l'usine. TENTER DE MODIFIER LE GOUVERNEUR DU MOTEUR VA ANNULER LA GARANTIE.
16. NE PAS dépasser la pression maximum fixée par le manufacturier en augmentant l'ajustement du déchargeur. (Ceci va annuler la garantie de la pompe).

Instructions Pour Arrêter

1. Faire écouler de l'eau propre SEULEMENT dans tout le système, puis mettre la valve d'injection de produits chimiques et de détergents en position "OFF". RISQUES D'INJECTIONS: Les liquides sous haute pression ou provenant de fuites peuvent pénétrer la peau et causer de très sérieuses blessures, incluant l'amputation et le décès. VOIR LA PAGE 3 POUR PLUS DE PRÉCAUTIONS CONCERNANT L'INJECTION.
2. Si le moteur est équipé d'un levier d'accélération, mettre le levier en position RALENTI.
3. Mettre l'interrupteur du moteur à "OFF".
4. Si le moteur est équipé d'une valve d'essence, mettre la valve à la position "FERMÉ".
5. Fermer la source d'approvisionnement d'eau.
6. Ouvrir le pistolet pour réduire la pression, et retirer le plus d'eau possible.
7. Enlever la soupape d'arrivée du tuyau d'arrosage.
8. Pour des raisons de sécurité et de responsabilité civile, enlever le tuyau d'arrosage à forte pression et ranger le pistolet/rallonge avec ce manuel d'opération dans un endroit sécuritaire pour éliminer les possibilités qu'un utilisateur non autorisé et non entraîné n'utilise cette machine

Préparation De La Machine Pour L'Hiver

Lorsque exposée à des températures sous le point de congélation, de sévères dommages, dus au gel, peuvent survenir à la machine et à ses composantes (l'endommagement causé par le gel n'est pas couvert par la garantie du fabricant). Pour éviter des réparations coûteuses, suivre les étapes suivantes:

1. S'assurer que la machine est en position "OFF", que la source d'approvisionnement d'eau est fermée et que la pression a été retirée.
2. Se procurer un contenant d'un gallon d'antigel NON-TOXIQUE (VR).
3. Installer un tuyau d'aspiration à partir de la soupape d'arrivée du tuyau d'arrosage dans le contenant d'antigel non-toxique. Après les opérations d'instruction, mettre le moteur en marche et serrer la détente du pistolet d'arrosage pour permettre à la pompe de tirer l'antigel dans tout le système. Lorsque l'antigel apparaît au bout de la rallonge, mettre le moteur à "OFF".
4. Serrer la détente du pistolet pour retirer la pression, et enlever le tuyau d'arrosage à haute pression, le pistolet /rallonge et serrer la machine dans un endroit sécuritaire avec ce manuel d'opération pour éviter son utilisation par du personnel non-autorisé et non-entraîné.
5. Se référer au manuel d'opération pour l'entreposage approprié.

Préparation De La Machine Pour L'Hiver

6. Lorsque vous vous préparez à utiliser la Laveuse à Pression de nouveau, ne faites que reconnecter le système de pression d'eau, attacher le tuyau d'arrosage à haute pression, mettre le système d'eau à "ON" et serrer la détente du pistolet pour permettre à l'eau de s'écouler dans le système. (Ne pas faire démarrer le moteur) Lorsque le liquide devient de l'eau claire à la fin de la rallonge, vous êtes prêt à utiliser votre Laveuse à Pression de la façon indiquée dans ce manuel.

Entretien De Préventions

L'inspection régulière de votre Laveuse à Pression est la clé du prolongement de la vie de votre machine. Suivre ces simples recommandations religieusement.

1. Vérifier le filtre à air pour saleté, nettoyer et remplacer lorsque nécessaire.
2. Vérifier le niveau d'huile du moteur.
3. Vérifier le niveau d'essence.
4. Vérifier le tuyau d'arrosage à haute pression pour l'entortillement ou l'endommagement. Remplacer tout tuyau d'arrosage endommagé.
5. S'assurer que le niveau d'huile de la pompe est dans les limites d'opération en vérifiant le niveau d'huile par la vitre transparente située sur le côté de la pompe.
6. Sur les machine équipées de boîte de transmission, vérifier que le niveau d'huile de la boîte de transmission est dans les limites d'opération en utilisant l'indicateur d'huile.
7. Vérifier que l'approvisionnement d'eau soit adéquat pour votre machine.
8. Vérifier l'écran du filtre de la soupape d'admission d'eau et nettoyer si nécessaire.
9. Vérifier la quantité de produit chimique.

Entretien de prévention

1. Changer l'huile de la pompe après chaque 250 heures (la pompe utilise de l'huile 30W non-détergent), si votre Laveuse à Pression est équipée d'une boîte à transmission, changer également l'huile de transmission après 250 heures (la boîte de transmission utilise de l'huile 90W).
2. Voir le manuel d'opération pour les fréquences de changement d'huile. (Le moteur utilise l'huile SAE10-30W).

Dépannage

NOTE: La plupart des problèmes avec les Laveuses à pression ne sont pas causés par le mauvais fonctionnement de la pompe ou du moteur. Essayer toujours de localiser une panne à partir de la source d'approvisionnement d'eau en vous dirigeant vers le fusil et la buse. Exemple: Vérifier l'approvisionnement d'eau, la buse, si la pression varie, si la machine est bruyante ou si elle n'atteint pas la pression maximale.

Tenir compte des règles suivantes pour tenter de localiser une panne:

Introduction

La Laveuse à pression ne devrait pas avoir de problèmes si elle est entretenue et utilisée correctement. La plupart des problèmes sont causés par la négligence et l'utilisation incorrecte de la machine. L'opération de cette machine sans tuyau d'arrivée d'eau va entraîner l'endommagement des joints et autres composantes.

Une autre cause commune d'endommagement est de faire fonctionner la machine pour des périodes prolongées avec la détente du pistolet d'arrosage en position "FERMÉ".

Ceci peut augmenter la température de l'eau à un niveau trop élevé, entraînant l'endommagement des joints et autres composantes. On pourrait croire que le mauvais fonctionnement de la Laveuse à Pression est souvent dû à un bris de la pompe, en réalité, il n'y a environ que 10% des problèmes qui soient dû au mauvais fonctionnement de la pompe.

Cavitation

Si la pression de l'eau descend sous un certain point (appelé vapeur d'eau), l'eau va commencer à bouillir, même si la température est sous le point normal d'ébullition. Des petites bulles vont alors se former dans l'eau bouillante. Si les bulles de vapeur sont transportées à un endroit où la pression est plus élevée dans le système, la vapeur va se condenser de nouveau et causer une cavité d'air dans la partie à haute pression.

L'eau autour des cavités va se pressuriser pour remplir les cavités rapidement. De très grandes pressions locales sont alors créées (jusqu'à 100,000 PSI). De telles pressions peuvent entraîner l'érosion, la turbulence, le bruit, la vibration ainsi que l'usure excessive de la pompe.

Le tuyau d'arrivée de la pompe où les pistons soutirent l'eau, est très susceptible aux problèmes de cavitation. Tout ce qui empêche l'écoulement de l'eau dans la pompe peut entraîner une cavitation tel que:

Dépannage

- Filtre de soupape d'arrivée d'eau obstrué
- Conduite ou tuyau d'arrosage trop petit
- Trop de restrictions dans le tuyau d'arrivée d'eau (ex: trop de valves ou trop de coudes)
- Trop grande turbulence ou chaleur excessive.

Les soupapes d'admission de la pompe doivent être entretenues proprement pour ne pas réduire l'écoulement de l'eau.

Quelques problèmes reliés à la Laveuse à Pression

Certains des problèmes qui peuvent survenir dans un système de Laveuse à Pression sont les suivants:

- Incapacité de la machine à produire de la pression
- Pression erratique
- Cognements
- Réduction de la pression
- Bas volume d'eau

Si un problème apparaît - Quelques vérifications préliminaires

Lorsqu'un problème se présente, ne pas enlever la pompe immédiatement pour commencer à remplacer ses composantes.

Premièrement, vérifier les causes possibles du problème:

- S'assurer que la source d'approvisionnement d'eau est en position "ON" et que la provision d'eau est adéquate.
- S'assurer que la conduite d'eau n'est pas endommagée ou entortillée.
- Vérifier la prise du filtre à eau. Nettoyer ou remplacer si nécessaire.
- S'assurer que la provision d'eau n'est pas trop chaude. La température ne devrait pas être plus élevée que 140 F.
- Si un détergent est utilisé, s'assurer que le tuyau de détergent est submergé dans la solution et n'aspire pas d'air dans le système. Si un détergent n'est pas utilisé, la valve d'injection chimique devrait être en position "OFF".
- S'assurer que la valve du déchargeur/régulateur soit proprement ajustée.
- S'assurer que la soupape d'admission du tuyau d'arrosage n'ait pas de fuite ou ne soit pas bloquée.
- Vérifier que la rallonge et que les raccords du tuyau d'arrosage à haute pression ne manquent pas d'anneau en "O".
- S'assurer que la buse soit claire et non-obstruée.

Dépannage

Dépannage supplémentaire

1. Si la pompe fonctionne, mais qu'il n'y a pas d'écoulement d'eau, essayer d'amorcer la pompe.
 - a) Pour amorcer la pompe, garder la succion à minimum et garder le conduit de déchargement ouvert.
 - b) Ouvrir et fermer la détente du pistolet d'arrosage de façon répétitive pour aider le processus d'amorçage.
2. Des cognements indiquent habituellement une provision d'eau insuffisante ou des fuites d'air.
 - a) Examiner les tuyaux d'arrosage pour détecter fuites ou entortillements.
 - b) Vérifier si la soupape d'admission du filtre à eau n'est pas obstruée ou endommagée.
 - c) Si le filtre a été endommagé, des sédiments peuvent s'être formés dans la pompe. Les sédiments vont se trouver dans la valve d'admission et doivent être retirés.
3. L'endommagement de la pompe peut être causé par:
 - a) provision d'eau inadéquate
 - b) vacuum trop élevé
 - c) température de l'eau excessive
4. Examiner le carter de la pompe pour niveau d'huile correct ou contamination. L'huile semble laiteuse, de l'eau a pénétré dans l'huile et les joints des pistons devraient être remplacés.

Problèmes avec le détergent

Les problèmes avec l'utilisation de détergents sont souvent causés par des procédures incorrectes de la part de l'utilisateur de la machine. Les problèmes qui surviennent lors de l'utilisation d'agents de nettoyage peuvent souvent être attribués à une des causes suivantes:

1. Utilisation de la mauvaise buse: utiliser la buse à savon lors de l'utilisation de détergents.
2. Le filtre à savon n'est pas complètement submergé dans la solution, la Laveuse va donc aspirer de l'air.
3. La valve d'injection est fermée: la valve du détergent doit être ouverte pour permettre de ramasser le détergent.

Mauvais type de détergent: seulement les types de savon désignés spécifiquement pour les pulvérisateurs devraient être utilisés. Les détergents domestiques peuvent endommager la Laveuse à Pression.

Dépannage

Questions fréquemment demandées

<p>• Quelle sorte d'huile dois-je utiliser? Moteur: Voir le manuel d'opération du moteur du fabricant (SAE 10-30W) Pompe: 30W non-détergent Boîte de transmission: Si votre laveuse est équipée d'une boîte à transmission, utilisez l'huile 90W</p> <p>• Combien d'huile est-ce que je met dans la 1/2 - 3/4 complètement sur le verre de vue.</p> <p>• Ma Laveuse à Pression ne démarre pas... Les contrôles du moteur sont-ils ajustés correctement? Y a-t-il de l'essence dans le réservoir?</p> <p>• Que faire pour que la succion du savon fonctionne? Remplacer la buse à haute pression en acier inoxydable par la buse à savon en laiton.</p>	<ol style="list-style-type: none"> 1. Restricted or insufficient water supply or air in the water line 2. Water temperature is too high 3. Pump has operated more than 3 minutes without pulling trigger 4. Pump sucking air 5. Inadequate water supply... pressure 6. Trigger gun not open 	<ol style="list-style-type: none"> 1. Check supply hose, faucet and inlet water filter 2. Use cool water only, maximum 140° F 3. Pull trigger for at least 30 seconds every 3 minutes 4. Check chemical/soap injection system 5. Connect to water supply at least 6GPM 6. Return unit to your pressure washer dealer for servicing?
<p>• Comment est-ce que je peux ajuster la pression du chargeur/régulateur? Tourner la poignée du chargeur/régulateur dans le sens des aiguilles d'une montre pour augmenter la pression, et dans le sens contraire des aiguilles d'une montre pour réduire la pression.</p>	<ol style="list-style-type: none"> 1. Water leak in high pressure fittings, hose or gun 	<ol style="list-style-type: none"> 1. Use teflon tape or pipe sealant to tighten hose fitting, replace hose or gun <p>If problem continues, take to your pressure washer dealer</p>
<p>• Je n'ai pas de pression d'eau... Avez-vous des entartrages ou des blocages dans les tuyaux régulés? Les buses sont-elles ajustées? La buse à savon est-elle au bout de la lance? Avez-vous laissé fonctionner la machine en by-pass pendant plus de trois minutes (la pompe fonctionne sans que la détente du pistolet ne soit pressée)? Avez-vous examiné la buse pour une usure excessive?</p>	<ol style="list-style-type: none"> 1. Nozzle in low pressure 2. Inlet filter is blocked 3. Inadequate water supply 4. Inadequate water supply 5. Inlet garden hose is kinked or leaking 6. Detergent line is not submerged 7. Water supply is over 140° F 	<ol style="list-style-type: none"> 1. Insert stainless steel high pressure nozzles 2. Adjust the regulator to desired setting 3. Clear inlet filter screen 4. Provide adequate water flow (at least 6GPM) 5. Straighten inlet hose or patch leak 6. Submerge detergent line 7. Provide cooler water supply

Guide De Dépannage Du Moteur Au Gaz

Problème	Causes Possibles	Solutions
Le moteur ne démarre pas	<ol style="list-style-type: none"> 1. Levier d'accélération 2. Pas d'essence 3. Bougie d'allumage sale ou usée 4. L'accumulation de pression 	<ol style="list-style-type: none"> 1. Mettre le levier d'accélération en position MARCHE(ON) 2. Remplir le réservoir d'essence ou ouvrir la valve d'approvisionnement 3. Remplacer par une bougie d'allumage recommandée par le fabricant 4. Maintenir la clenche du fusil ouverte (référer-vous au manuel d'opération du fabricant)
Machine avec indication du niveau d'huile	La machine n'est pas sur sol de niveau sur le sol	Mettre la machine de niveau sur le sol
ou	ou	ou
Système de bas niveau d'huile	Le niveau d'huile du moteur est trop bas	Remplir le carter d'huile (référer-vous au manuel d'opération du fabricant) 1. Retourner la machine à un
La pression du moteur est basse	<ol style="list-style-type: none"> 1. Problèmes de moteurs 2. La buse est partiellement obstruée 	centre de service autorisé. Si le moteur est équipé d'un levier d'accélération, assurez-vous que le moteur tourne à pleine vitesse. 2. Libérer la buse de toute obstruction
Le moteur tourne bien sans charge mais s'éteint avec charge complète	1. Le moteur tourne trop lentement	1. Communiquer avec votre concessionnaire de Laveuse à Pression
Le moteur ne démarre pas ou démarre et tourne difficilement	1. Bas niveau d'huile	1. Remplir le carter d'huile jusqu'au niveau approprié

Guide De Dépannage Du Moteur Au Gaz

	<p>2. Le filtre à air est sale</p> <p>3. Pas d'essence</p> <p>4. Essence trop vieille</p> <p>5. Le fil de la bougie d'allumage n'est pas connecté</p> <p>6. Mauvaise bougie d'allumage</p> <p>7. Eau dans l'essence</p> <p>8. Moteur noyé</p> <p>9. Mélange d'essence extrêmement riche</p> <p>10. Soupape d'admission coincée</p> <p>11. La machine a perdu sa compression</p>	<p>2. Nettoyer ou remplacer le filtre à air</p> <p>3. Remplir le réservoir d'essence</p> <p>4. Vider le réservoir et le remplir avec d'essence fraîche</p> <p>5. Connecter le fil</p> <p>6. Remplacer la bougie d'allumage</p> <p>7. Vider le réservoir d'essence et le remplir d'essence fraîche</p> <p>8. Ouvrir l'étrangleur complètement et faire partir le moteur à la manivelle</p> <p>9. Contacter un centre de service autorisé par le fabricant</p> <p>10. Contacter un centre de service autorisé par le fabricant</p> <p>11. Contacter un centre de service autorisé par le fabricant</p>
Le moteur s'arrête durant l'utilisation	<p>1. Manque d'essence</p> <p>2. Le niveau d'huile est bas</p>	<p>1. Remplir le réservoir d'essence</p> <p>2. Remplir le carter d'huile jusqu'au niveau approprié</p>
Le moteur manque de puissance	<p>1. Le filtre à air est sale</p>	<p>1. Remplacer le filtre à air</p>

Guide De Dépannage Du Moteur Au Gaz

Le moteur force ou hésite	1. L'étrangleur du carter s'est ouvert trop vite	1. Placer le l'étrangleur du carter en mi-position jusqu'à ce que le moteur tourne de façon égale *Toute réparation de moteur doit être faite par un centre de service autorisé.
---------------------------	--	---

Guide De Dépannage Du Moteur Électrique

Problème	Causes Possibles	Solutions
Le moteur ne démarre pas et il n'y a pas de vrombissement	1. Le moteur n'est pas branché 2. Le bouton "RESET" n'est pas poussé 3. Le disjoncteur est déclenché	1. Brancher le moteur 2. Pousser le bouton "RESET" 3. Ré-enclencher le disjoncteur
La source d'alimentation continue de faire déclencher le disjoncteur ou de faire sauter les fusibles	1. Trop de charge sur le circuit 2. Corde d'extension trop longue ou de calibre incorrecte causant une réduction du voltage 3. la pompe est coincée à cause de la saleté, de l'accumulation de minéraux ou de glace	1. Réduire la charge sur le circuit 2. Voir section sur les cordes 3. Débrancher la machine. Si la température est sous le point de congélation, ne pas utiliser la machine, et la faire dégeler dans un endroit chaud.

Guide De Dépannage Du Moteur Électrique

	4. Mauvais fonctionnement du moteur	4. Contacter votre concessionnaire Baldor pour le service *Toute réparation de moteur doit être faite par un centre de service autorisé par le manufacturier.
--	-------------------------------------	---

Guide De Dépannage Du La Pompe

Problème	Causes Possibles	Solutions
Pas d'arrivée de détergeant à basse pression	1. Buse ajustée pour haute pression 2. Siphon du tuyau d'arrosage ou filtre obstrué	1. Pousser les buse vers l'avant, pour les machines avec buse ajustables, remplacer avec le buse à savon en laiton 2. Libérer le siphon du tuyau d'arrosage ou le filtre de toute obstruction
La machine n'atteint pas la pression requise	1. Provision d'eau insuffisante ou limitée 2. Bec inadéquat ou usée	1. Vérifier le tuyau d'approvisionnement, robinet, et soupape d'arrivée du filtre à air. Doit être connecté à une source d'eau qui produit 6.0 gallons par minute 2. Remplacer la buse
La machine est bruyante	1. Provision d'eau insuffisante ou limitée ou air dans la conduite d'eau 2. Température de l'eau trop élevée 3. La pompe a fonctionné pendant 3 minutes sans tirer la détente 4. La pompe aspire l'air	1. Vérifier le tuyau d'approvisionnement, robinet, soupape d'arrivée du filtre à air 2. Utiliser de l'eau tiède seulement, maximum 1400 F 3. Tirer la détente au moins 30 secondes pendant 3 minutes 4. Vérifier la connexion du système d'injection du détergent chimique

Guide De Dépannage Du La Pompe

Problème	Causes Possibles	Solutions
	<p>5. Provision d'eau inadéquate</p> <p>6. Valve de relève thermique coincée ouverte</p>	<p>5. Connecter a une source d'approvisionnement d'eau d'au moins 6GPM</p> <p>6. Retourner votre Laveuse à Pression pour réparation</p>
La pression varie sans ouvrir le pistolet	1. Fuite d'eau provenant du tuyau d'arrosage, des connections ou du pistolet	1. Utiliser un ruban teflon ou un scellant à tuyeau pour renforcer les connections (Si le probleme persiste contacter votre concessionnaire)
<p>La pompe a les problèmes suivants:</p> <p>Incapacité de générer de la pression, pression erratique, cognements regulateur/ dechargeur, bas niveau d'eau, perte de pression</p>	<p>1. Bec en mode de basse pression</p> <p>2. Regulateur/ dechargeur de basse pression</p> <p>3. Soupape d'arivée du filtre à air obstruée</p> <p>4. Approvisionnement d'eau inadéquat</p> <p>5. Le tuyau d'arivée d'eau est tordu ou a une fuite</p> <p>6. Le tuyau d'aspiration du savon n'est pas complètement submergé</p> <p>7. La température de la provision d'eau est plus élevée que 1400 F</p> <p>8. Le tuyau d'échappement d'eau à haute pression est obstrué ou a une fuite</p>	<p>1. Insérer la buse à haute pression en acier inoxydable</p> <p>2. Ajuster le régulateur/ dechargeur à la pression et au réglage désiré</p> <p>3. Libérer l'obstruction</p> <p>4. Ajuster l'écoulement de l'eau a au moins 6GPM</p> <p>5. Redresser le tuyau ou réparer la fuite</p> <p>6. Plonger le tuyau</p> <p>7. Utiliser de l'eau plus froide</p> <p>8. Dégager l'obstruction</p>

Guide De Dépannage Du La Pompe

	<p>9. Pistolet d'arrosage a une fuite</p> <p>10. Bec obstruée</p> <p>11. La pompe est défectueuse</p>	<p>9. Remplacer le pistolet d'arrosage</p> <p>10. Dégager l'obstruction</p> <p>11. Retourner votre Laveuse à Pression</p>
<p>Pas de distribution de détergent à basse pression</p>	<p>1. Taille du la buse est incorrect</p>	<p>1. Installer la buse à savon en laiton</p>
<p>La machine ne recoit pas de détergent</p>	<p>1. Ajustement du détergent fermé</p> <p>2. Provision d'eau inadéquate</p> <p>3. Buse en mode de haute pression</p> <p>4. Restriction d'eau</p> <p>5. Le conduit d'aspiration du détergent est obstrué</p>	<p>1. Tourner la poignée dans le sens des aiguilles d'une montre</p> <p>2. Connecter la pompe à une source d'approvisionnement d'eau de 6GPM</p> <p>3. Remplacer les buses en acier inoxydable de haute pression par la buse à savon en laiton (noir)</p> <p>4. Enlever la buse de la rallonge et vérifier la distribution du détergent - si il y a du savon, examiner et nettoyer le bec et toutes les connexions en enlevant scellant ou toute autre restriction</p> <p>5. Si le probleme persiste, retournez votre machine pour réparation</p>

NOTE: La plupart des problèmes de livraison de détergeants peuvent être évités:

1. Utiliser des détergents à base de citron
2. Vider le système de détergeant chimique avant de ranger la Laveuse à Pression
3. NE JAMAIS utiliser de détergents en poudre ou ceux qui ne sont pas spécifiquement aux Laveuses à Pression (i.e. détergents à vaisselle)

Guide De Dépannage Du La Pompe

La machine n'atteint pas la puissance maximum	<ol style="list-style-type: none">1. Provision d'eau limitée ou insuffisante, air dans la réserve2. Buse en mode de basse pression3. Régulateur ajusté trop bas	<ol style="list-style-type: none">1. Examiner le tuyau d'arrosage, robinet et soupape d'arrivée pour détecter les fuites2. Se référer au manuel à la partie rallonges/buses pour explication de l'utilisation à haute pression3. Réajuster le déchargeur en tournant la poignée. Tourner la poignée dans le sens des aiguilles d'une montre pour augmenter la pression.
La pression varie	<ol style="list-style-type: none">1. La température de l'eau est trop élevée2. Valve thermique coincée, elle reste ouverte	<ol style="list-style-type: none">1. Utiliser de l'eau tiède seulement, maximum 140° F2. Retourner votre machine à un centre de service autorisé

Garantie De La Pompe À Pression

Les Laveuses à Pression construites par leur manufacturier sont garanties contre tout défaut de manufacturier qui peuvent survenir à leurs pompes ou boîtes de transmission, pour une période de 12 mois à partir de la date d'achat. Dans le cas d'un défaut, retourner la pompe complète, avec une copie de votre facture d'achat, au concessionnaire duquel vous l'avez acheté pour un remplacement possible couvert par la garantie.

Les moteurs sont garantis par leur manufacturier. La réparation des moteurs couverts par la garantie doit être effectuée par un centre de service autorisé.

Le manufacturier garantit toutes les autres parties et composants qui ne sont pas listées ci-haut pour une période de 90 jours à partir de la date d'achat contre tout défaut du manufacturier.

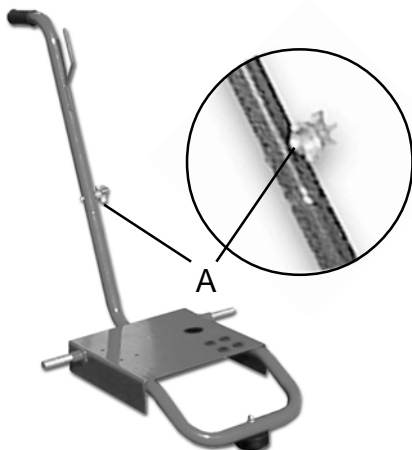
TOUT travail effectué sur cette machine doit avoir un numéro de réparation autorisé par leur manufacturier afin de se qualifier pour la garantie.

Garantie De La Pompe À Pression

Les Laveuses à Pression vendues pour usage commercial ont une garantie limitée sur toutes leurs pièces et composantes, pour une période de 90 jours, à partir de la date d'achat, contre tout défaut du manufacturier.

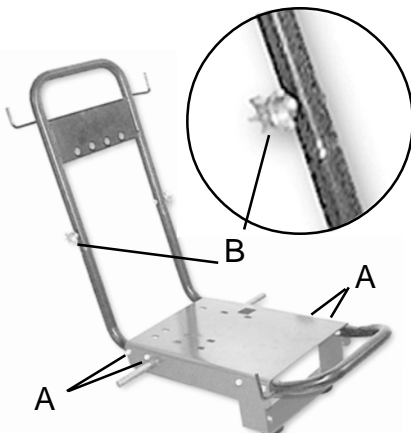
Cette garantie ne couvre pas: La marchandise ou ses composantes, qui, selon l'opinion de la compagnie, ont été sujet à un usage négligent, incorrect, altérations, accident ou si des réparations ont été effectuées en utilisant des pièces autres que celles fournies par leur manufacturier.

Instructions Pour L'assemblage Du Chassis



Chassis à une poignées

1. Glisser la partie supérieure du guidon dans la partie inférieure.
2. Aligner les trous des deux poignées, et insérer des verrous à travers. Fixer l'ecrou papillon (A)



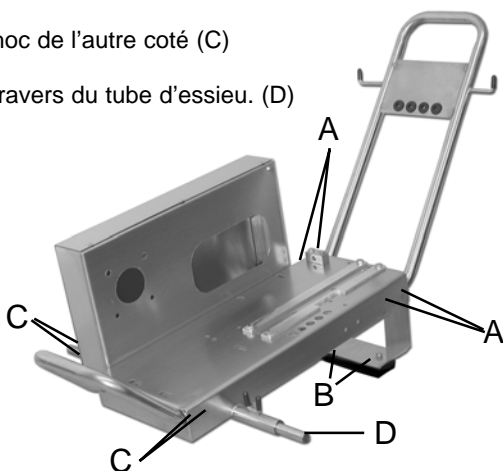
Large Chassis

1. Si applicable, attacher la partie inférieure du guidon du chassis en utilisant les quatre trous identifié AVEC un a (A).
2. Glisser la partie supérieure dans la partie inférieure du guidon. Aligner les trous dans le guidon, et insérer des verrous à travers. Fixer l'ecrou papillon sécuritairement. (A) (B)

Instructions Pour L'assemblage Du Chassis

Chassis d'acier avec ceinture de direction

1. Attacher la poignée et les supports de pieds chassis en utilisant les mêmes trous (appellé A). Mettre les supports des pieds entre la poignée et le chassis.
2. Si applicable, attacher les pieds aux supports de pieds en utilisant les trous identifiés par un (B).
3. Attacher le pare-choc de l'autre coté (C)
4. Glisser l'essieu à travers du tube d'essieu. (D)



Accessories/Accessoires

**Pump Oil (1L)
Huile pour la pompe(1L)**

85.490.000



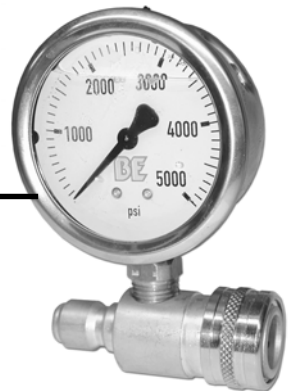
**Small Dirt Killer Assembly
Petit buse rotative**

85.210.180



**Gauge Kit
Gauge**

85.305.001



**Coupler & Plug (3/8")
Raccords (3/8")**

85.400.201



**Spray Nozzle Kit
Becs d'arrosage**

85.210.045



Accessories/Accessoires

**50' Hose Assembly
Tuyau d'arrosage à
haute pression**

85.238.151



**Long Wand
Grande Rallonge**

85.205.018

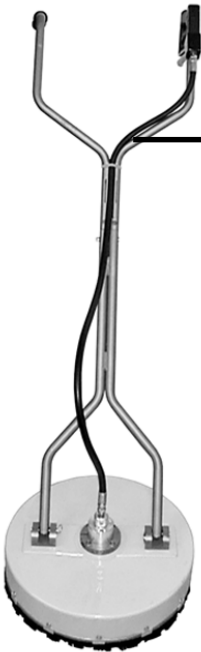
**Gun & Wand
Fusil & Lance**

85.205.026



**Whirl-A-Way
Nettoyeur de
Surface**

BE-2000WAWY



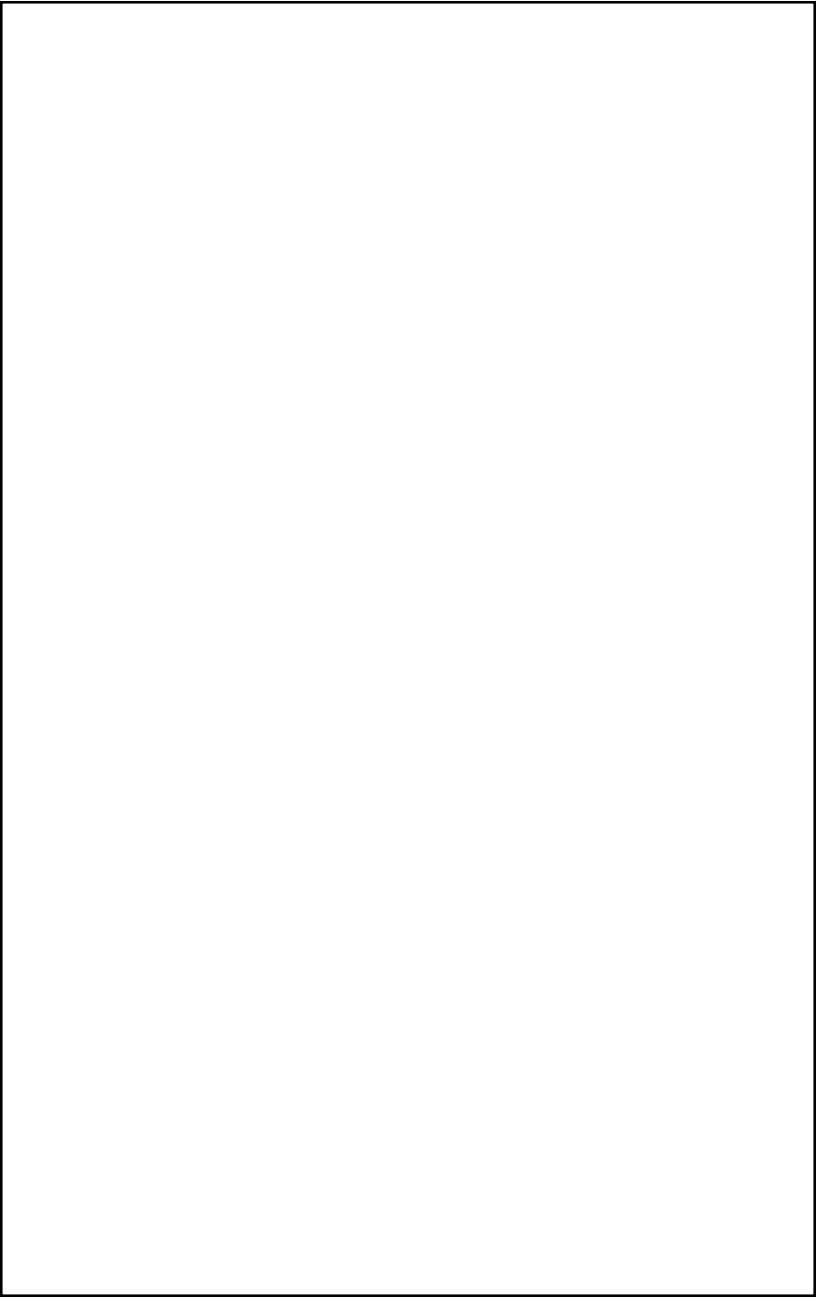
**Water Brush
Brosse de eau**

85.400.061



Notes

A large, empty rectangular box with a thin black border, occupying most of the page. It is intended for the user to write their notes.



Problème	Causes Possibles	Solutions
Le moteur ne démarre pas	1. Levier d'accélération	1. Mettre le levier d'accélération en position MARCHE(ON)
	2. Pas d'essence	2. Remplir le réservoir d'essence ou ouvrir la valve d'approvisionnement
	3. Bougie d'allumage sale ou usée	3. Remplacer par une bougie d'allumage recommandée par le fabricant
	4. L'accumulation de pression	4. Maintenir la clenche du fusil ouverte (référez-vous au manuel d'opération du fabricant)
Machine avec indication du niveau d'huile	La machine n'est pas sur sol de niveau sur le sol	Mettre la machine de niveau sur le sol
ou	ou	ou
Système de bas niveau d'huile	Le niveau d'huile du moteur est trop	Remplir le carter d'huile (référez-