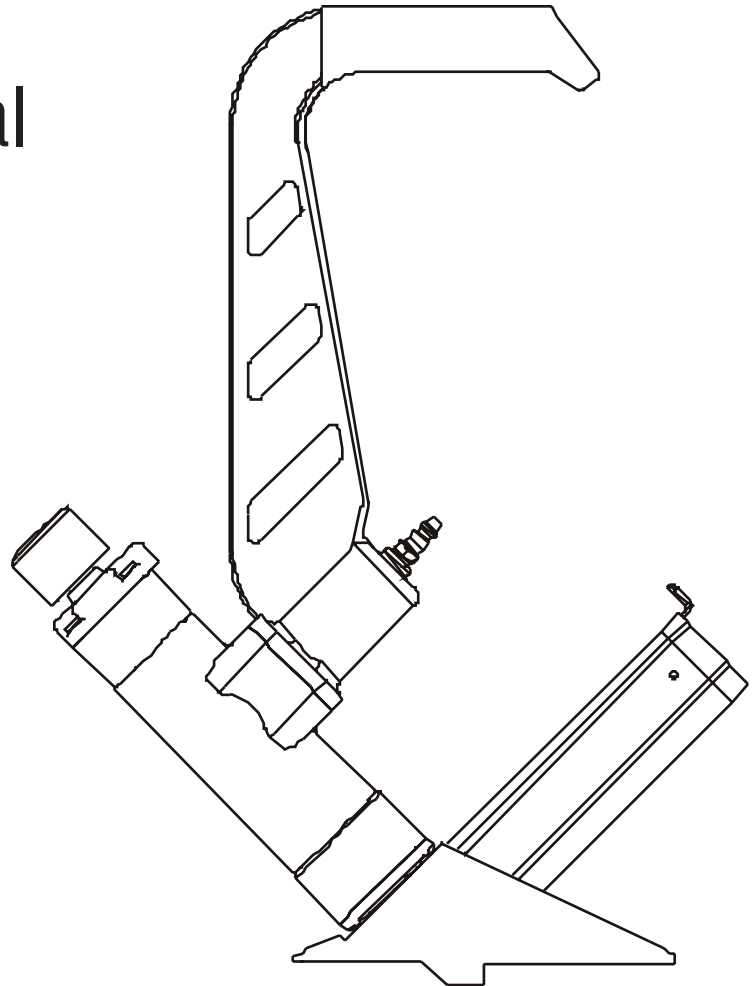




Operating Manual



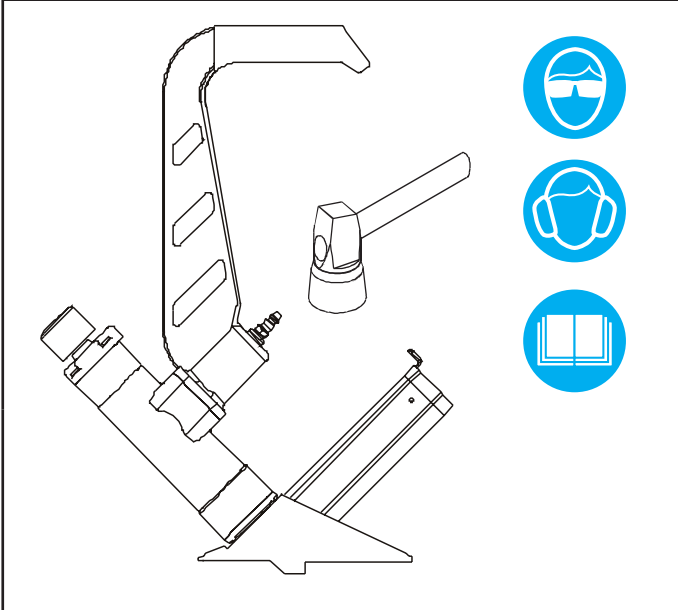
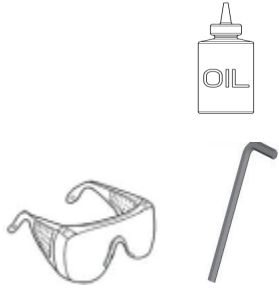

# FloorMaster FS Flooring Stapler

**A18201**



READ ALL SAFETY INSTRUCTIONS

**ITEMS INCLUDED WITH TOOL**

	<p><b>INCLUDED WITH TOOL</b></p> <p>Plastic Case Tool Manual Safety Glasses Pneumatic Tool Oil Hex Key x 3</p> 
	<p><b>ACCESSORIES</b></p> <p>Replacement Oil NZ # R20128   AUS # F27625</p> 
<p>Model: FloorMaster FS No: A18201</p>	

**TECHNICAL SPECIFICATIONS**







FloorMaster FS A18201	Specs
Minimum Operating Air Pressure	4.8 Bar (70 Psi)
Maximum Operating Air Pressure	6.2 Bar (90 Psi)
Staple Length Range	19-50mm (¾" - 2")
Staple Size	1.75 x 1.55mm (15½"ga)
Magazine Capacity	80 staples
Air Inlet	6-10mm (¼"-⅜") NPT
Air Consumption	0.14m <sup>3</sup> at 5.5 Bar (5.0 CFM at 80Psi)
Tool Weight	4.9kg (10.5lbs)

ITW reserve the right to revise specifications without notice. Tools without warning labels should not be used. Warning labels are available from ITW (see enclosed spare parts list for reference). Use only specified Paslode fasteners, as described in this manual.





**RECOMMENDED FASTENERS**

- A18232 32mm Galvanised FloorMaster Staples
- A18238 38mm Galvanised FloorMaster Staples
- A18245 45mm Galvanised FloorMaster Staples
- A18250 50mm Galvanised FloorMaster Staples

**SAFETY INSTRUCTIONS**

	<p>Never connect a tool to a bottled gas supply. Use only filtered, regulated and lubricated compressed air.</p>
	<p>Use tool only for the intended application. Never engage in horseplay with the tool. Never point the tool at yourself or any other person, even if you think it is not loaded.</p>
	<p>Keep all Pneumatic and Cordless tools away from children and unauthorized persons.</p>
	<p>Do not weaken or damage the tool housing by punching or engraving. Be aware that the tool housing is a pressure vessel. Tool modifications will void warranty.</p>
	<p>When loading the tool, do not operate trigger or safety work contact element. When using the tool for the first time, load magazine only after connecting it to air line hose.</p>
	<p>All tools should be fitted with quick release hose connectors only. The male hose fitting must be fitted to the tool body.</p>

**SAFETY INSTRUCTIONS CONT.**

	<p>It is best to use the minimum pressure required to achieve acceptable nail fix. The use of excessive pressure increases tool wear and sound levels. Only connect tools to lines where pressure is regulated and appropriate pressure relief valves are installed. Each take off point on the main line should be fitted with a filter - regulator - lubricator. Filters should be 'auto drain' type or alternatively be manually drained on a daily basis. For compressed air lines without lubrication, an 'in-line' lubricator should be fitted to the tool or manually lubricated directly into the tool air inlet. Only use an air compressor that meets ASNZS 1210 pressure vessel safety standards. Always use a pressure regulator, filter and oiler.</p>
	<p>Always use a supply hose rated for min 13.8 bar (200 psi). Do not use a check valve or any other fitting that allows air to remain in the tool chamber. The diameter of the air distribution line must be sufficient for good air flow. The air pressure drop when driving fasteners should not exceed 0.5 bar per shot. The hose should be as short as possible, as a long hose could cause a drop in air pressure. The recommended minimum diameter required for the hose is 10mm (3/8") or 13mm (1/2") for larger tools.</p>
	<p>Only operate tool when in contact with the work piece. Take care not to drive fasteners into knots or on top of other fasteners. A fastener may ricochet and cause serious injury. Always check the area behind the work surface for potential hazards. Do not attempt to use the tool to fasten hard or brittle materials such as concrete, steel or tile.</p>
	<p>Do not carry the tool by the hose or trigger. Carry the tool only by grasping the handle firmly without touching the trigger.</p>

## TOOL OPERATION

1. Before connecting the tool to the air supply, ensure:

- a. All screws are tightened
- b. A complete visual inspection of the tool for loose, damaged or missing components
- c. The tool is complete and no parts are missing
- d. The tool is lubricated sufficiently

*Never operate a damaged tool. Only Paslode Accredited Service Agents are authorised to repair this Paslode tool.*



*Always wear eye and hearing protection when operating tool.*

*Employers and tool operators are responsible for ensuring the safety of anyone near or operating the tool.*

2. Prolong tool life with daily oiling and inspection

- a. Add 5-6 drops of Paslode Pneumatic tool oil into the tool hose inlet connection before operation
- b. Wipe off excess oil from tool air exhaust.

*Note: Never use detergent oils to lubricate the tool as these will damage O-rings resulting in tool malfunction*

3. Tool air line hose connection

- a. Install a male quick connect fitting to the tool, if not already connected
- b. Connect air line hose to an air compressor using a 10mm (3/8") internal diameter air hose that has been connected to the compressor outlet
- c. Connect the tool to the air hose using the female connection on the hose

4. Air pressure adjustment

- a. Adjust air line pressure to obtain approx 4.8 bar (70 psi) at the tool
- b. For best results it is recommended that the air pressure is set between 4.8 - 6.2 bar (70 - 90 psi).

*Note: This will be indicated on the air line pressure gauge located on regulator on the compressor and is not the compressor tank pressure gauge*

## TOOL OPERATION CONT.

### 5. Loading the fasteners

- a. Connect the tool with the air supply
- b. Withdraw the magazine cover
- c. Slide the strip of staples into the magazine
- d. Push magazine cover into closed position

### 6. Adjust depth of drive

Test the driving depth in a sample piece of wood before using. If the fasteners are being driven too far or not far enough, adjust the regulator to provide less air pressure or more air pressure.

## TOOL MAINTENANCE

### 1. Compressor

Empty compressor air tanks daily to prevent moisture build-up in the air lines. Moisture in the air lines can dilute lubricants which dry the tool chamber and result in tool malfunction.

The presence of water in an air tool can wash lubrication out of tool, contribute to tool freezing in low temperatures and cause corrosion.

### 2. Tool lubrication

- a. Add 2-3 drops of Paslode Pneumatic air tool oil into the air tool hose inlet before operation.

*Note: Never use detergent oils to lubricate the tool. This will damage O-rings resulting in tool malfunction*

- b. Wipe off excess oil from tool air exhaust

### 3. Visual tool inspection

- a. Inspect and replace any damaged or worn components
- b. Tighten any loose nuts or cap screws
- c. Replace any illegible or damaged safety warning labels on the tool

## TROUBLESHOOTING

Cease tool operation immediately if any of the following symptoms are evident.

Failure to address symptoms could result in personal injury.

Never operate a damaged tool.

Only Paslode Service Agents are authorised to repair Paslode tools.

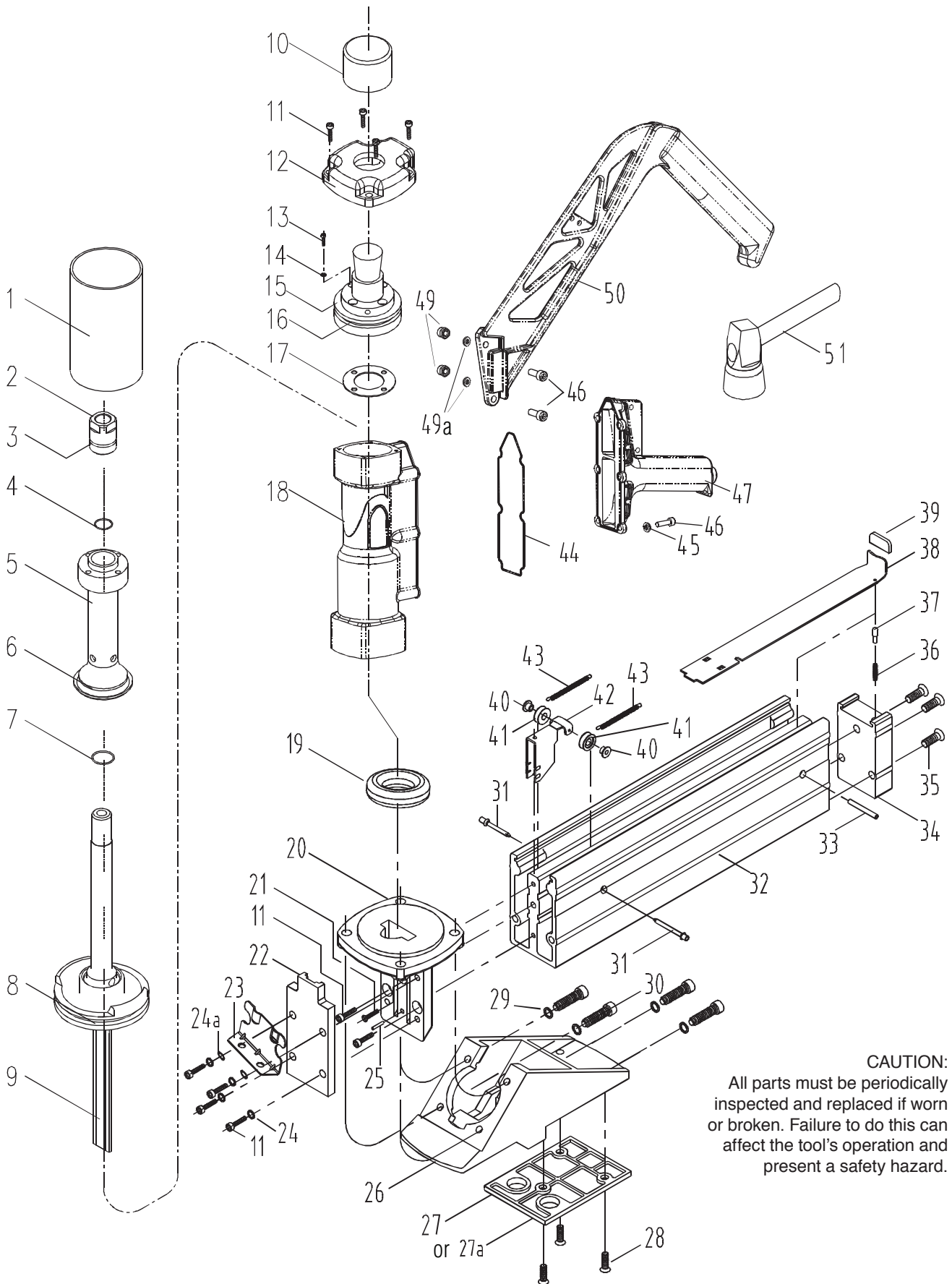
Symptom	Likely Cause	Possible Solution
Air leaking in cylinder cap	Loose nose screws	Tighten and recheck
	Gasket is cracked or worn	Replace gasket
Lack of power, slow to cycle.	Tool is too dry	Oil tool
	Air pressure is too low	Check air supply equipment and increase air pressure (do not exceed 90 psi)
	Exhaust blocked	Clean exhaust channel
Tool misfires or intermittent feeding	Damaged pusher spring	Replace spring
	Incorrect fasteners	Use only Paslode staples
	Magazine or wear plate is dirty	Clean magazine and nose
Tool jams	Driver channel is worn	Replace wear plate
	Driver blade is worn/broken	Replace driver blade
	Bent fasteners	Use only Paslode fasteners

Always disconnect from compressed air supply before servicing, adjusting the tool or clearing a staple jam.

If unable to repair on-site, take your tool to your Paslode Service Agent.

A list of agents can be found at [www.paslode.com.au](http://www.paslode.com.au) and [www.paslode.co.nz](http://www.paslode.co.nz)

**SCHEMATICS - FLOORMASTER FS FLOORING STAPLER (A18201)**



**CAUTION:**  
All parts must be periodically inspected and replaced if worn or broken. Failure to do this can affect the tool's operation and present a safety hazard.



**PARTS LIST**

ITEM	PART NO.	DESCRIPTION	QTY
1*	200160	CYLINDER BUSHING	1
2	200161	NUT	1
3*	200162	O-RING	1
4*	200163	O-RING	1
5	200164	POPPET	1
6*	200165	O-RING	1
7*	200166	O-RING	1
8*	200167	O-RING	1
9*	200168	PISTON ASSEMBLY	1
10	200169	HAMMER FACE	1
11 ▲	200170	SCREW M5x16	12
12	200171	CYLINDER CAP	1
13 ▲	200172	SCREW M4x20	4
14	200173	SPRING WASHER 4mm	4
15	200174	POPPET ACTUATOR	1
16*	200175	O-RING	1
17	200176	GASKET	1
18	200177	BODY	1
19*	200178	BUMPER	1
20	200179	NOSE	1
21 ▲	200180	SCREW - PHILLIPS	1
22	200181	NOSE PLATE	1
23	200182	BAFFLE PLATE	1
24	200183	SPRING WASHER	4
24a	200184	FLAT WASHER 5mm	2
25	200185	SPRING PIN	2
26	200186	SHOE	1
27	200187	ADAPTOR PAD 25/32"	1
27a	200188	ADAPTOR PAD 1/2"	1

ITEM	PART NO.	DESCRIPTION	QTY
28	200189	SCREW CSK	3
29	200190	SPRING WASHER	4
30 ▲	200191	SCREW M6 x 35	4
31	200192	RIVET	2
32	200193	MAGAZINE	1
33	200194	SPRING PIN	1
34	200195	MAGAZINE CAP	1
35 ▲	200196	SCREW M5 x 20	3
36	200197	SPRING	1
37	200198	LOCK PIN	1
38	200199	MAGAZINE COVER	1
39	200200	SLEEVE	1
40	200201	BUSH - SPRING ROLLER	2
41	200202	SPRING ROLLER	2
42	200203	PUSHER	1
43	200204	SPRING - PUSHER	2
44*	200205	SEAL	1
45	200206	SPRING WASHER 6mm	6
46	200207	SCREW M6 x 25	6
47	200208	AIR INLET HOUSING	1
49	200209	LOCK NUT M6	2
49a	200210	WASHER 6mm	2
50	200211	HANDLE WITH GRIP	1
51	200212	HAMMER	1
52	200213	WARNING LABEL	1
53	200214	SPECIFICATION LABEL	1
54	200215	PRODUCT LOGO	1
55	200216	PRODUCT LOGO	1
	200217	CARRY CASE	1

\* Denotes normal wear items.

Make sure warning labels are properly affixed, replace if necessary. Labels available through service department.

▲ Apply Loctite 242 (Blue).

> Denotes New Part.

Item 27 fitted (Spacer for 25/32" flooring)

Item 27a included with tool - not installed (Spacer for 1/2" flooring)

## WARRANTY STATEMENT

**For Paslode, Duo-Fast, Maestri and STOCK-ade Tools and Equipment.**

Please register your new Paslode, Duo-Fast or Maestri or STOCK-ade tool within 14 days of purchase at either:

**Australia - [www.paslode.com.au](http://www.paslode.com.au)**

OR

**New Zealand - [www.paslode.co.nz](http://www.paslode.co.nz)**

### Warranty and Limitations

Paslode warrants that this product will be free from defects in workmanship and materials for a period of 12 months from the date of acquisition by the original consumer. If a defect in material or workmanship becomes evident during that period Paslode will, at its option, either repair replace or refund the product. In the event of such a defect, the product should be returned to us (with proof of purchase and the original packaging) at the address below together with written details of the defect or returned directly to an authorised Paslode warranty service provider. Any handling or transportation expenses (and other expenses incurred in claiming under this warranty) are not covered by this warranty and will not be borne by Paslode.

In addition, a five-year manufacturer's warranty will apply to all moulded nylon components on Impulse tools only -  
Motor housing, Cap and Grille  
Handle Halves and Actuator  
Trigger  
Nylon Magazine Parts

This warranty does not apply to part(s) replacement required as a result of normal wear. This warranty will be void as to any tool and/or equipment which has been subjected to misuse, abuse, accidental or intentional damage. The warranty may also be void if tools are used with fasteners, fuel, batteries or battery charges not meeting Paslode Australia's or Paslode New Zealand's specifications, size or quality, or if any product is improperly maintained, is repaired with other than genuine replacement parts, is damaged in transit or handling or in Paslode's opinion, has been altered or repaired in a way that affects or detracts from the performance and safety of the tool and/or equipment. This warranty only applies to Paslode products that are supplied by Paslode Australia or Paslode New Zealand.

In addition to other rights and remedies that may be available under law, our goods come with guarantees that cannot be excluded under Australian Consumer Law (for consumers in Australia) and the Consumer Guarantees Act (for consumers in NZ). If you are a consumer in Australia, you are entitled to a replacement or refund for a major failure and compensation for any other reasonably foreseeable loss or damage. You are also entitled to have the goods repaired or replaced if the goods fail to be of acceptable quality and the failure does not amount to a major failure. If you are a consumer in New Zealand, we will comply with our obligations to you under the Consumer Guarantees Act.

For locations and contact information of authorised Paslode warranty service providers, visit our website [www.paslode.com.au](http://www.paslode.com.au) or [www.paslode.co.nz](http://www.paslode.co.nz)

Subject to any mandatory terms:

(a) Paslode makes no warranty, express or implied, relating to merchantability, fitness or otherwise, except as stated above; (b) Paslode's liability as stated above is in lieu of all other warranties arising out of, or in connection with, the use and performance of the tool and/or equipment; (c) Paslode shall in no event be liable for any direct, indirect, or consequential damages, including, but, not limited to, damages which may arise from loss of anticipated profits or production, spoilage of materials, increased cost of operation or otherwise; (d) Paslode is not liable for personal injury whether direct or indirect howsoever suffered arising from or in connection with any misuse of the product; and (e) Paslode is not liable for any negligence in the manufacture, supply or any instructions related to the tool and/or equipment.

Paslode reserves the right to change specifications, equipment or designs at any time without notice and without incurring obligation.

If you do not have internet access to register your tool and/or equipment, please contact either Paslode Australia or Paslode New Zealand at the following address:

**Paslode Australia**  
**PO Box 914**  
**Ingleburn, 1890**

**Paslode New Zealand**  
**PO Box 100 303 NSMC**  
**Auckland, New Zealand**