

# Beaver 300

Safety and Operators Manual  
And Parts Listing

CAUTION: Read the instruction manual before using the appliance.



**DESIGNED & BUILT IN AUSTRALIA**

20072023



# Beaver 300

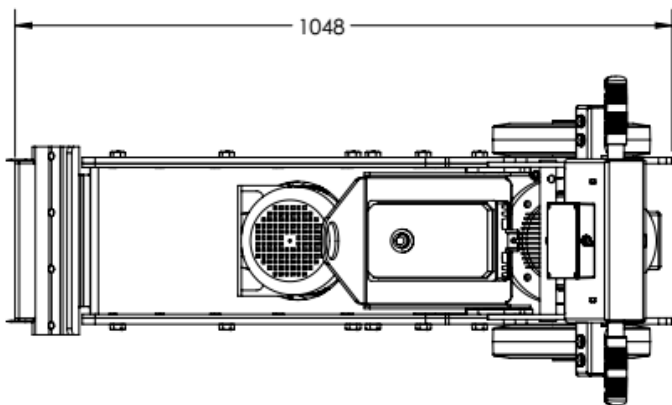
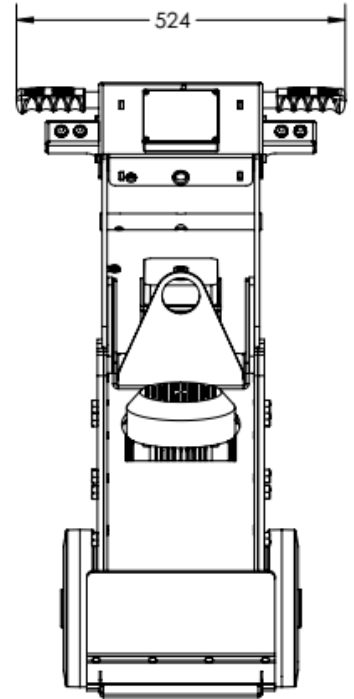
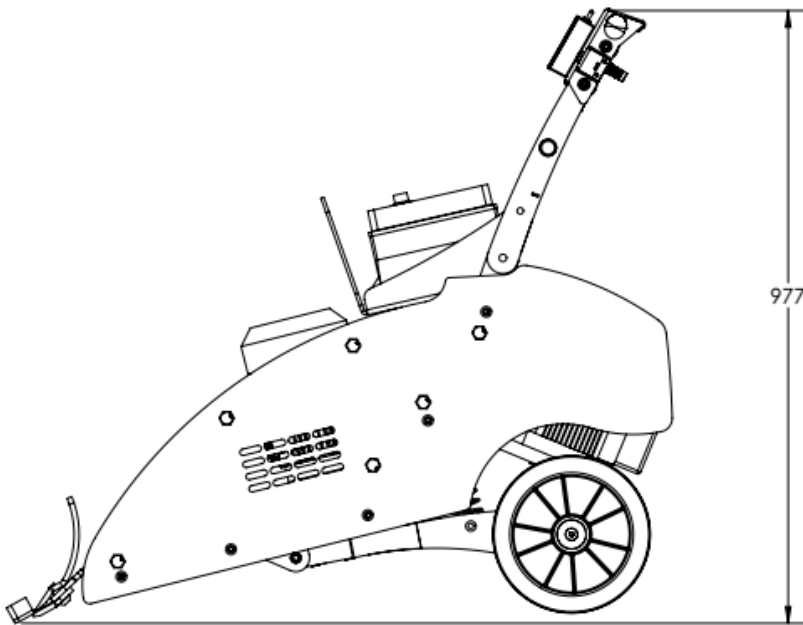
## Table of Contents

Notes	1
Specifications	3
Safety instructions	4
Safety instructions	5
Electrical safety	6
Operating instructions	7
Operating instructions	8
Operating instructions	9
Button and Switches Overview	10
Button and Switches Overview	11
Floor Take-up Procedure.	12
Floor Take-up Procedure.	13
Problem solving	14
Parts List – Main Group	15
Parts List – Drive Section	16
Parts List – Handle Section	16
Parts List – Main Chassis Assembly	18
Parts List – Inverter Cradle	19
Parts List - Transport Dolly	20
Wiring Diagram – KB Drive	21
Wiring Diagram – Invertek Drive	22

# Beaver 300

## Specifications

Beaver 300	
Weight	160kg
Dimensions	1048 x 524 x 977 (Length x Width x Height)
Rated Voltage	240 Volt 50 Hz
Rated Watts	1800W
Max Blade Width	300mm



# Beaver 300

## Safety instructions

1. Read and understand the instructions on the machine and in this manual and engine manual (if applicable). Different models may have different parts and controls.
2. Equipment should only be operated by trained personnel, in good physical condition and mental health (not fatigued). The operator and maintenance personnel must physically be able to handle the bulk weight and power of this machine.
3. This is a **one person machine**. Maintain a safe operating distance to other personnel. Remember 'one machine, one operator'.
4. This equipment is intended for commercial use.
5. For the operators' safety and the safety of others, always keep all guards and shrouds in place.
6. Never start or run machine when unattended.
7. This machine is intended for use on horizontal floor surfaces only.
8. Never start or run machine with the handle folded.
9. Do not lend or rent machine without the operating instructions for the machine (and the engine, if applicable).
10. Wear clothing suitable for the job and for the work place including, safety shoes, hard hat, hearing protection, non-fogging vented safety goggles, and dust mask suitable for dust and Safety Gloves when changing Blades and accessories.
11. Keep body parts or any loose clothing away from moving parts. Failure to comply could result in bodily injury.

# Beaver 300

## Safety instructions

12. Do not modify machine in any way. Only use genuine BEAVER 300 parts and accessories.
13. Repairs should be performed by qualified persons only.
14. Ensure parts have stopped moving and disconnect power or spark plug when servicing or changing blades or accessories.
15. Never operate machine in rain or if heavy moisture is present.
16. Petrol is extremely flammable and poisonous. Petrol should only be dispensed in well ventilated areas, and only when engine is cool.
17. **WARNING! POISONOUS EXHAUST GASES.** Do not operate petrol powered equipment without adequate ventilation. Carbon monoxide is an invisible odorless gas that can harm or can kill you.
18. Do not operate BEAVER 300 with any covers or doors removed or open.
19. The BEAVER 300 can produce sound pressure levels greater than 85db. The operator must wear approved safety ear protection.
20. Do not allow the supply cord to come in contact with the cutting blade/head or other moving parts of this machine.
21. Blades on this machine can become Very Sharp. Use protective clothing when servicing and or changing blades or accessories.

# Beaver 300

## Electrical safety

1. All electrical maintenance and repairs to be carried out by qualified persons only.
2. **CAUTION** - Line terminals may be alive when main switch is in the "OFF" position. Disconnect all power at source before performing any maintenance or repairs.
3. **WARNING - DO NOT** operate the machine with any electrical panels open.
4. **WARNING** - The BEAVER 300 has an overload switch and it will trip when under excessive load and will not allow the machine to be switched on if it is overloaded. (Overload will need to be reset and only will allow it when safe to do so). **Continuing to use the BEAVER 300 when constant tripping occurs, VOIDS THE WARRANTY!**
5. Never operate machine in the rain or if heavy moisture is present.
6. The overload is there to protect you and the machine from harm. **DO NOT** alter or adjust the over load in any way. If it is faulty, only replace with original part that is identical to the faulty one.
7. Never bypass over current devices in this machine.
8. Never connect or disconnect power cables when the machine is on or with voltage present or while under load.
9. Disconnect all power connections and observe lock out / tag out procedures before attempting to carry out any maintenance or repair on any equipment.
10. Avoid any contact with any rotating parts or driven parts.
11. Never use equipment that has not been tested and tagged (including cords).
12. Before connecting the machine to power, check the condition of all power leads and cables on, or used in conjunction with the machine. **DO NOT USE** them if there are any fault(s) cuts; wear marks, Bare wires out of plugs or sockets, etc. Get qualified persons to repair and re-tag it as required by regulations in your country.
13. Do not operate BEAVER 300 with any covers or doors removed or open.

# Beaver 300

## Operating instructions

1. Wear clothes suitable for the job and for the work place including, safety shoes, hard hat, hearing protection, non-fogging vented safety goggles, and dust respirator suitable for dust and dust mask suitable for dust and Safety Gloves when changing Blades and accessories.
2. **WARNING! POISONOUS EXHAUST GASES.** Do not operate petrol powered equipment without adequate ventilation. Carbon monoxide is an invisible odorless gas that can harm or can kill you.
3. Be sure all equipment is tested and tagged prior to use on any job.
4. Inspect entire area in which the machine will operate and remove any bolts or concrete nails etc. that could damage the tooling or machine and which could cause a hazardous situation.
5. Ensure there are no obstacles or existing structures that could present a hazard to the operator. If so, take necessary action to eliminate the hazard.
6. Disconnect the power lead from the Beaver 300 before changing blades or accessories. Failure to comply could result in bodily injury.
7. Put the Axle height at the lowest position and tilt the machine over onto its back see following page for more detail.
8. The blade is removed by undoing the four M12 socket head cap screws located underneath the blade clamp.
9. Install appropriate tooling into the machine. Only use genuine BEAVER 300 tooling. Failure to comply could result in bodily injury.
10. See “Tooling Uses and Applications” section for more detail on different tooling and the application to use that tooling.
11. Tilt the machine back onto the cutting blade.

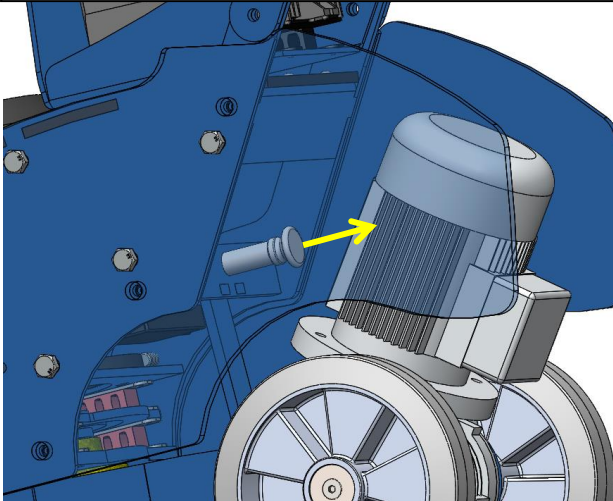


# Beaver 300

## Operating instructions

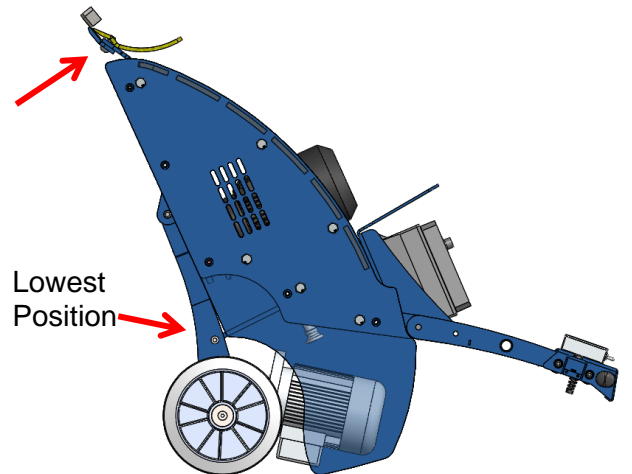
### Axle Height Adjustment

Support the machine and Pull the axle lock knob to release.



### Blade Change

1. Use protective clothing to prevent personal harm from the sharp blade.
2. Disconnect power.
3. Put the Axle Height at the lowest position
4. Pull the machine over until it rests on the side wheels and side plates
5. Then use the Allen key supplied to release the 4 bolts



# Beaver 300

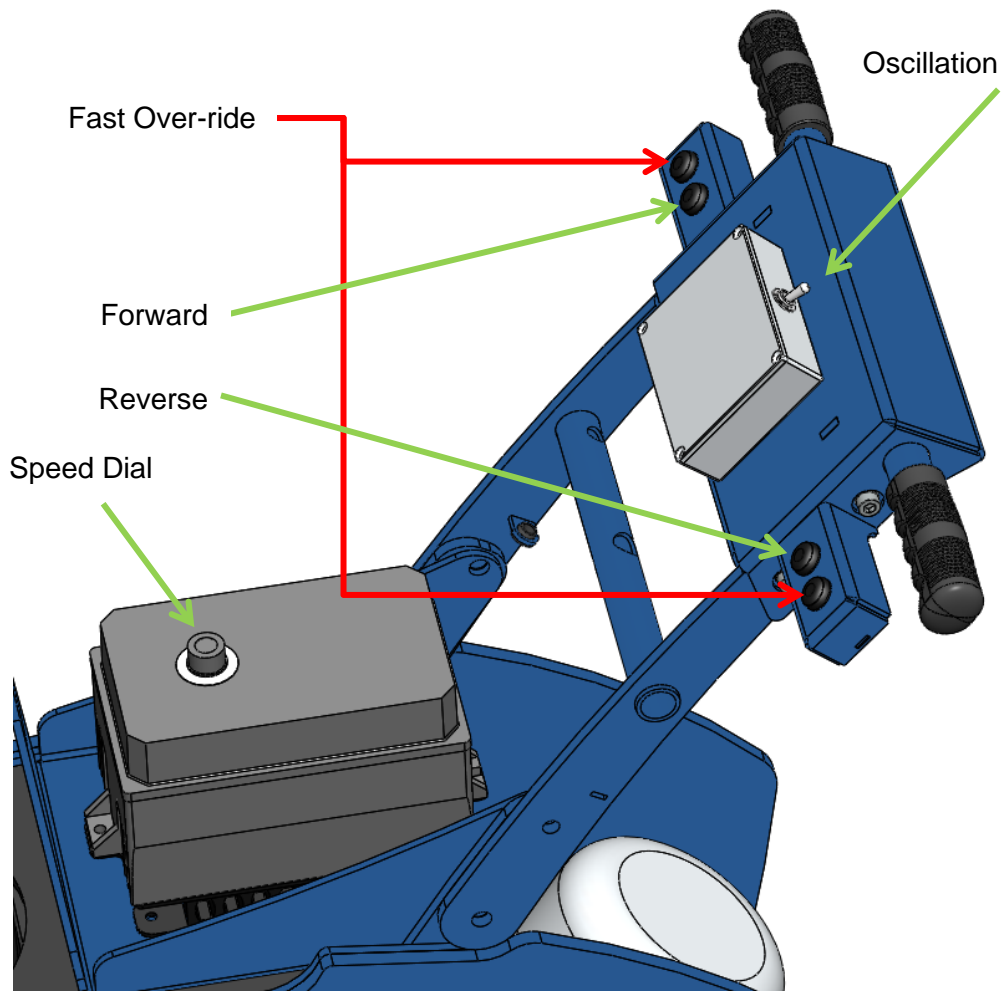
## Operating instructions

12. The Beaver 300 has axle height adjustment to adjust the angle of attack. Set the axle height at the lowest position before each job and move up only if the machine repeatedly rises over the material being removed.
13. Connect machine to suitable power outlet. Only use a power lead suitable for high current use (preferably 1.5 mm<sup>2</sup> cable), no longer than 20 meters.
14. If no power is available within the specified distance, have a qualified person install a suitable power outlet closer to your work. Alternatively use 2.5mm<sup>2</sup> cable for up to 50 meters.
15. Keep machine clear of drainage pits and grates or any such hazard. Failure to comply could result in bodily injury and or could damage the machine or property.
16. Ensure machine is on a level surface and handle is not folded (see operation mode on the previous page).
17. Hold the handles firmly and switch the machine on by moving the switch to the "ON" position.
18. If the over load trips it indicates a problem. (Undersize power lead or poor power to GPO outlet). Refer above for recommendations on power leads. Rectify the problem before continuing. **Continuing to use the BEAVER 300 when constant tripping occurs, VOIDS THE WARRANTY!**
19. This machine is designed to operate with the wheels in contact with the floor at all times. **Do not operate with wheels off the floor.**
20. Do not attempt to make any adjustments while the machine is in operation. Any adjustments must only be performed when machine is stopped and power disconnected

# Beaver 300

## Button and Switches Overview

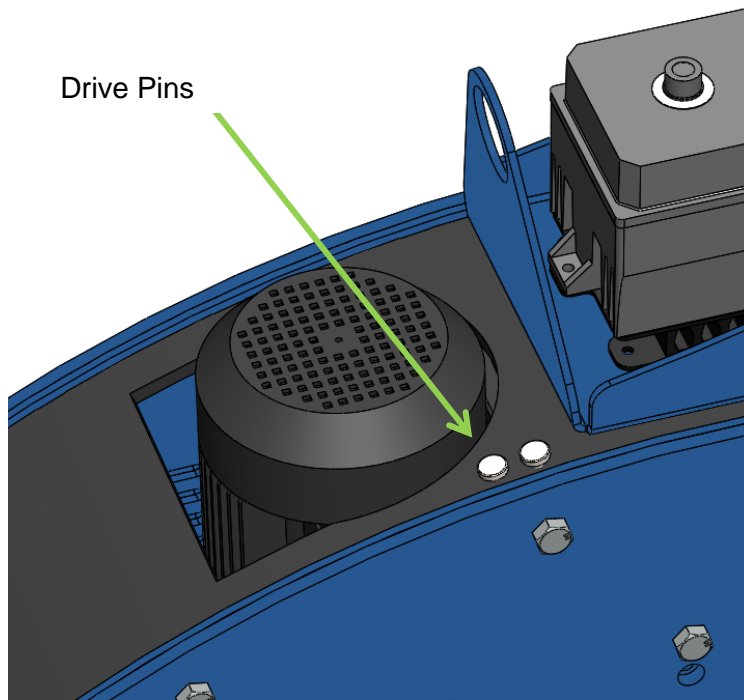
21. The Beaver has 4 buttons and a speed dial for controlling the speed of travel
22. The two inner buttons closest to the electrical box control the direction forward or reverse.
23. The two outer buttons perform the same task of overriding the speed to full speed. This saves you from having to wind the speed dial up when moving to a different position or reversing.
- 24.



# Beaver 300

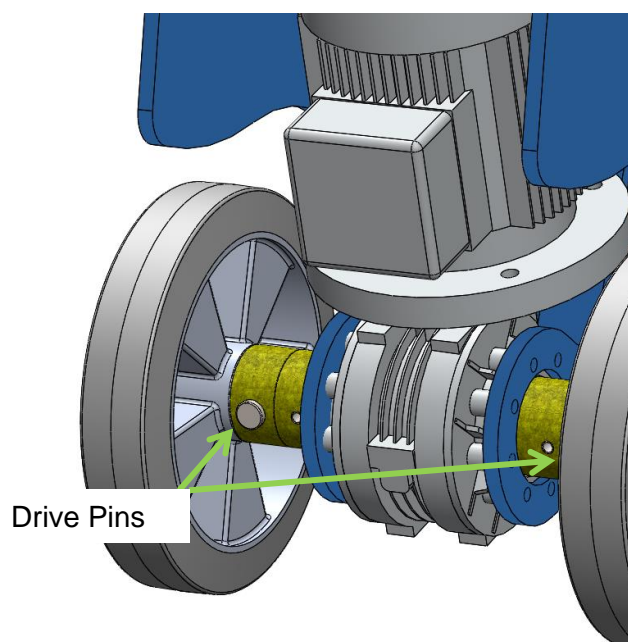
## Button and Switches Overview

25. There are two pins for unlocking the drive motors for free-wheeling the machine. These are stored on the cover whilst not in use.



26.

27. For the self-propelled function to work these pins must be located in the axle as shown below. You may have to rotate the wheel before the pin will slide all the way in.

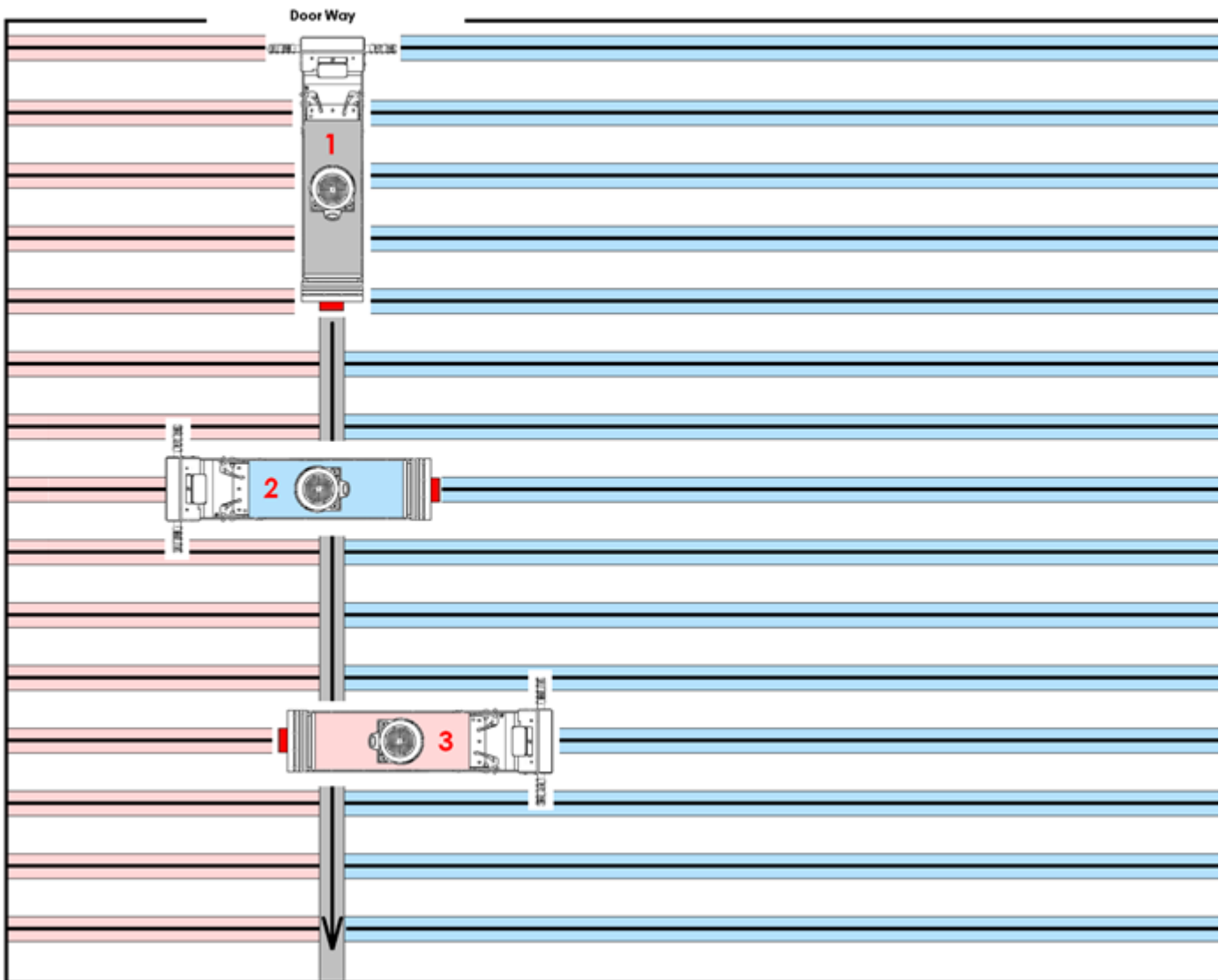


28.

# Beaver 300

## Floor Take-up Procedure.

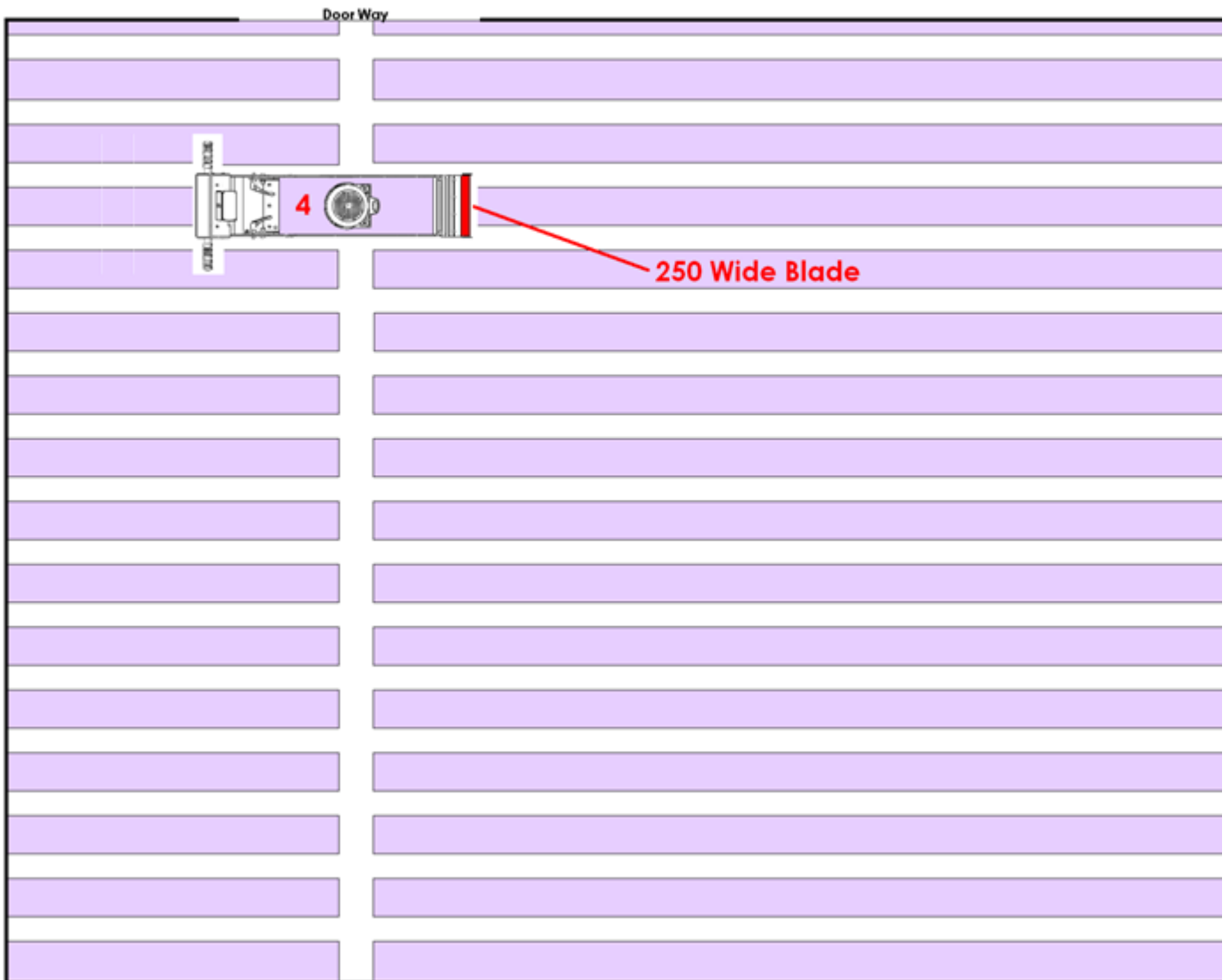
1. Create strip to start from across the room
2. Working From the starting strip remove strips leaving 100- 150mm of material between each strip
3. Work the other side of the starting strip to the other end of the room.



# Beaver 300

## Floor Take-up Procedure.

1. Use a full width blade to remove the remaining material

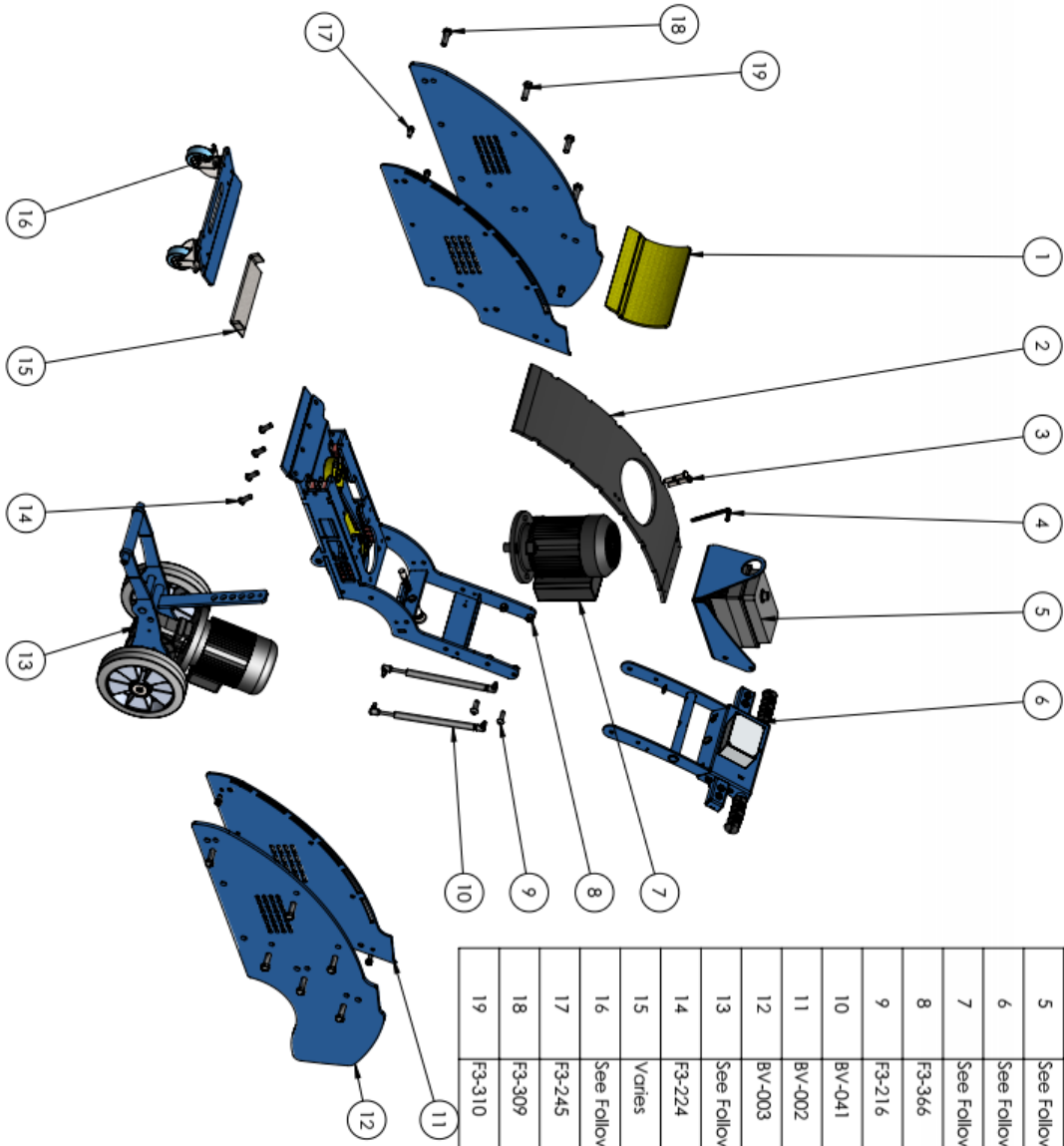


# Beaver 300

## Problem solving

PROBLEM	CAUSE	REMEDY	WHAT IS IT DOING?
Machine will not start / run.	No power is present at cable end.	Check power is present with another tool.	Using another tool confirms power is present
	Power lead is too small in capacity or too long.	Upgrade the power lead to 1.5mm <sup>2</sup> (20meters) max or 2.5mm <sup>2</sup> (50 meters max).	The long / small capacity cable is too restrictive and can't allow enough power through for the machine to start / run properly.
Machine is jumping up over the material being removed.	Incorrect angle of attack	Adjust the axle height up one hole at a time.	Increases the angle of attack making the blade stay against the floor on each stroke
	Incorrect blade used	Try turning the blade upside down	Often the blade has a single bevel on it and doing this changes the cutting angle on the blade
		Use a different blade type	Blades come in different thickness for different jobs
The material being removed comes up in big sheets making removal difficult to manage	No carpet blade is installed	Use a blade designed for carpet.	Carpet blades have a cutter on each side of the blade cutting the material into strips as it goes coiling up in front of the machine as you go.
Material take-up is very slow	The machine has limited power and cannot remove the material in one pass	Use a narrow blade and remove strips in the material leaving 100mm of material on the floor after each strip. Come back and remove the 100 mm strips later with a full size blade.	A narrow blade transfers the same energy of the Beaver 300 onto a small area making removal easier. Taking up 100mm wide strips of material is easier than removing all material in one pass.

# Beaver 300 Parts List – Main Group



ITEM NO.	PartNo	Description	QTY.
1	BV-005	Beaver 300 Blade Clamp	1
2	BV-004	Beaver 300 Black Cover	1
3	BV-041	Beaver 300 Wheel Pin	2
4	BV-030	Beaver Allen Key	1
5	See Following Poges	Beaver 300 Inverter Cradle	1
6	See Following Poges	Beaver 300 Handle Section	1
7	See Following Poges	Beaver 300 Main Chassis Assembly	1
8	F3-366	M12 Nylloc Nut	4
9	F3-216	10 X 35 Button Head	1
10	BV-041	Beaver 300 Gas Strut	2
11	BV-002	Beaver 250/300 Side Panel	2
12	BV-003	Beaver 300 Side Panel (Weight)	2
13	See Following Poges	Beaver 300 Self Propelled Drive Section	1
14	F3-224	12 X 35 Button Head	7
15	Varies	Blade	1
16	See Following Poges	Beaver 300 Transport Wheel Kit	1
17	F3-245	10 X 20 Socket Head Cap Screw	12
18	F3-309	M14 X 45 Hex Head Set Screw	10
19	F3-310	M14 X 50 Hex Head Set Screw	2

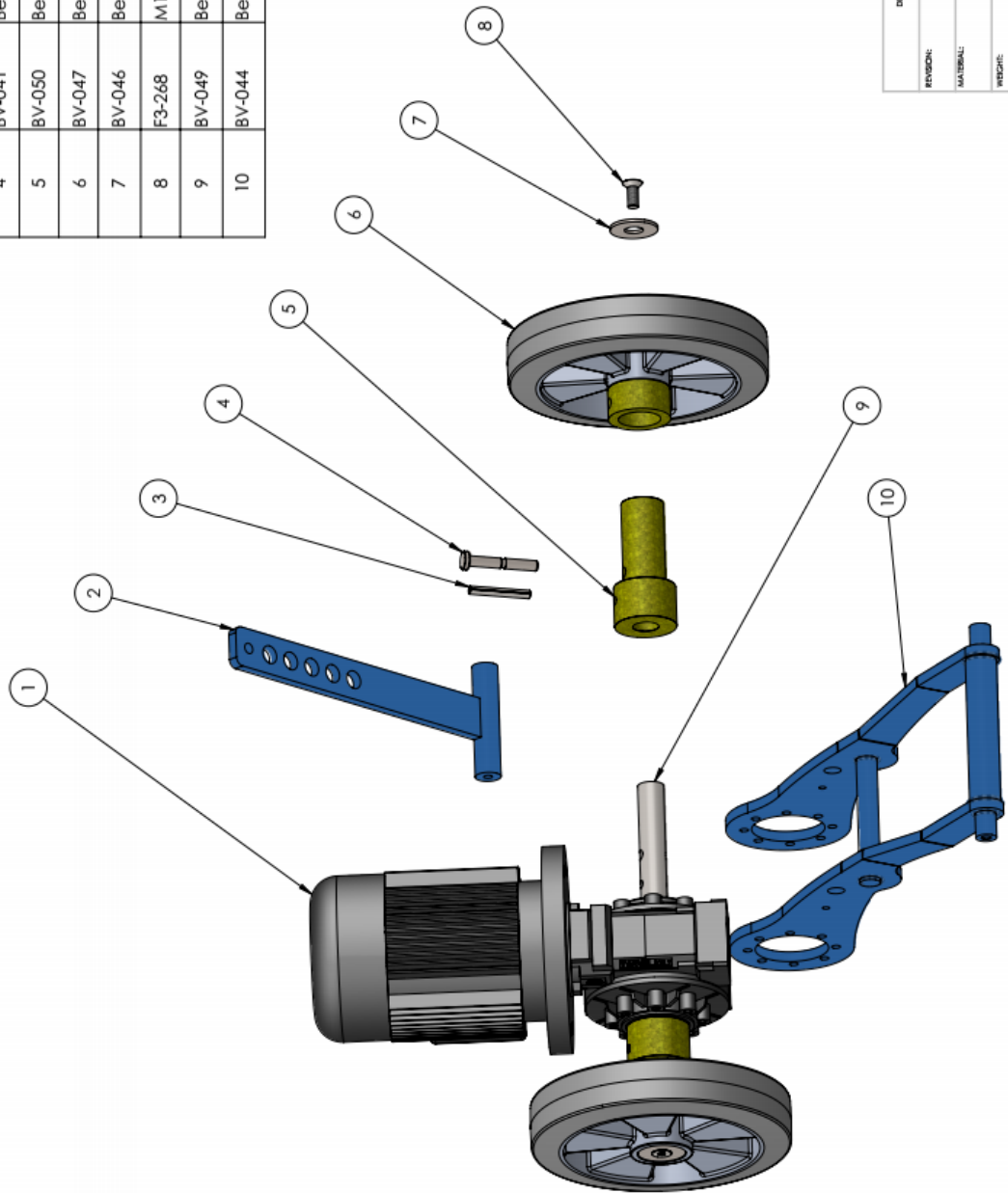
DO NOT SCALE DRAWING	
REVISION:	
MATERIAL:	Beaver 300
VARIES:	Part Number
WEIGHT:	137584.53 GRAMS
MODEL:	
 <b>Floorex Products</b> <i>Concrete Preparation &amp; Sealing Systems</i>	
SCALE: 1:1	SHEET 1 OF 5
A3	



# Beaver 300

## Parts List – Drive Section

ITEM NO.	PartNo	DESCRIPTION	QTY.
1	BV-048	Beaver 300 Drive Motor and GearBox	1
2	BV-043	Beaver 300 Axle Hight Adjustment	1
3	BV-045	Beaver 300 Drive Roll Pin 8 X 60	2
4	BV-041	Beaver 300 Wheel Pin	1
5	BV-050	Beaver 300 Drive Shaft Axle Sleeve	2
6	BV-047	Beaver 300 Drive Wheel-Sleeve	1
7	BV-046	Beaver 300 Drive Wheel Cap	2
8	F3-268	M10 X 25 Socket Head Countersunk Screw	2
9	BV-049	Beaver 300 Drive Shaft	1
10	BV-044	Beaver 300 Axle Arm Assembly	1

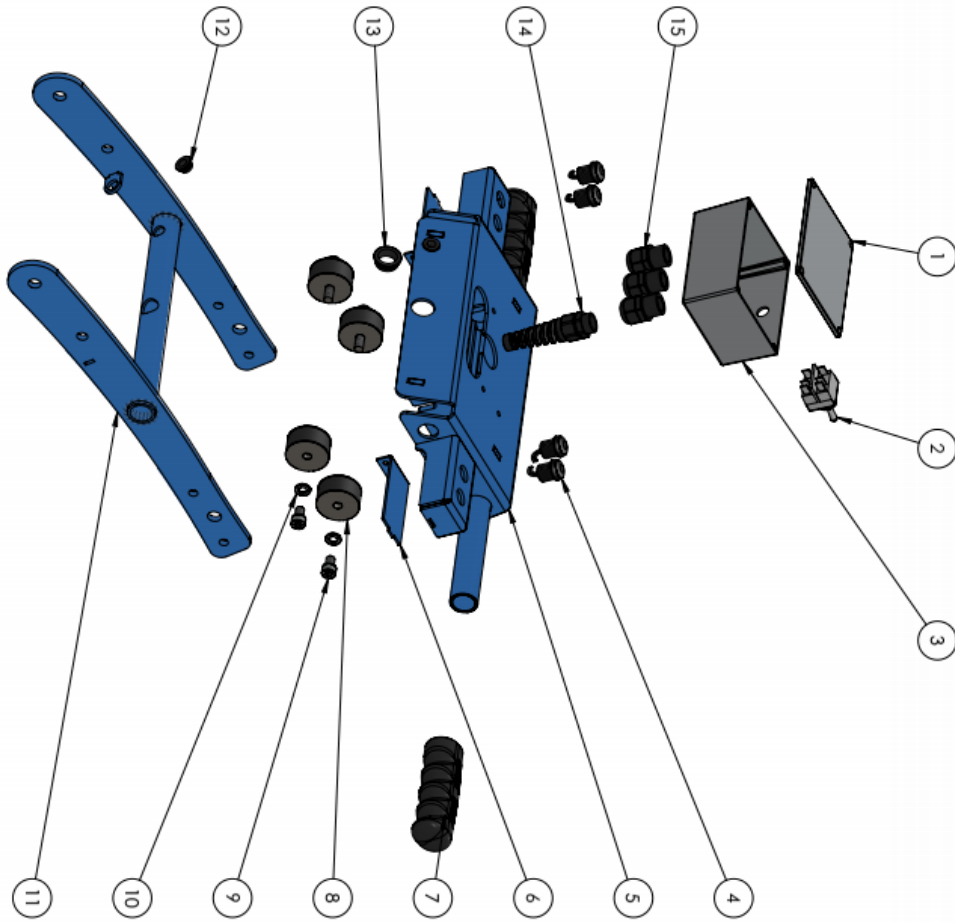


**Floorex Products**  
Concrete Preparation & Coating Systems


REVISION: \_\_\_\_\_  
 MATERIAL: \_\_\_\_\_  
 WEIGHT: 20264.23 Grams  
 FINISH: \_\_\_\_\_

Description: Beaver 300 Self Propelled Drive Section  
 Part Number: See Following Pages  
 SCALE: 1:31.3      SHEET 2 OF 5      A3

# Beaver 300 Parts List – Handle Section



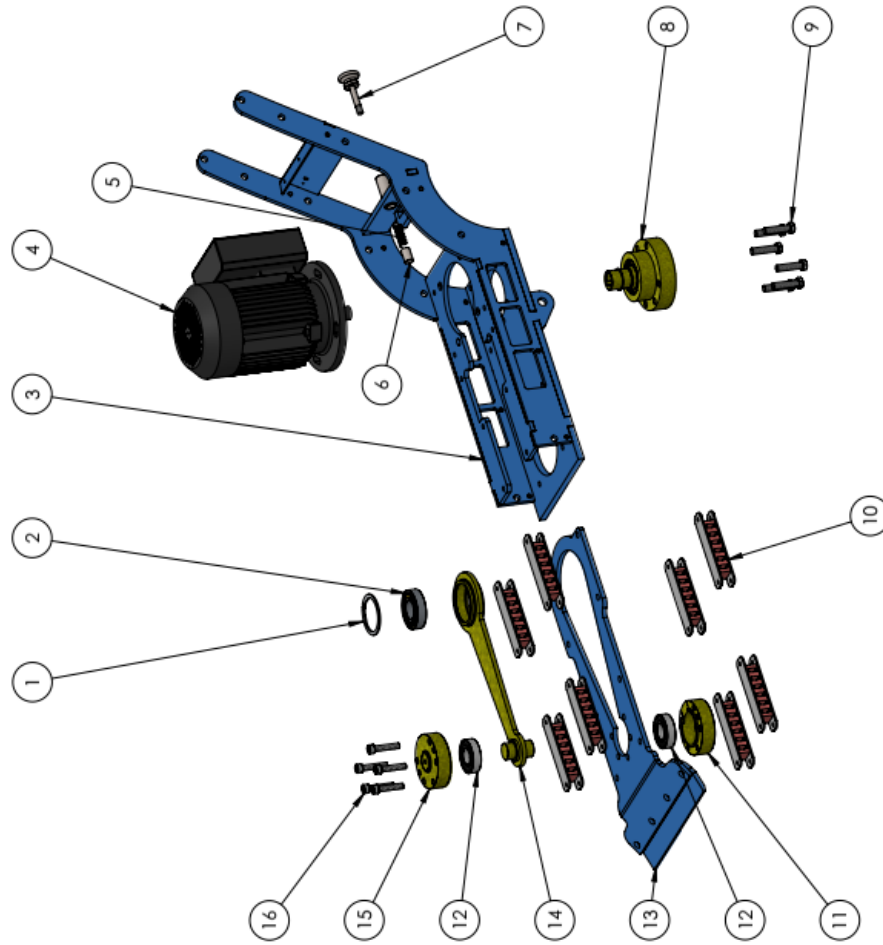
ITEM NO.	PartNo	DESCRIPTION	QTY.
1	BV-063	Beaver 300 Electrical Box Lid	1
2	BV-065	Beaver Toggle Switch	1
3	BV-062	Beaver 300 Electrical Box	1
4	BV-066	Beaver 300 Forward Reverse Switch	4
5	BV-007	Beaver 300 Handle Bars	1
6	BV-009	Beaver Forwards Reverse Console Cover	2
7	G3-050	Rubber handle Grip	2
8	BV-008	Beaver Handle Rubber Mounts	4
9	F3-236	M8 X 12 Socket Head Cap Screw	4
10	F3-316	M8 Spring Washer	4
11	BV-006	Beaver 300 Handle Arms Assembly	1
12	BV-064	Beaver Rubber Grommet 12mm	2
13	BV-067	Rubber Grommet 16mm	1
14	BV-061	Beaver Cable Gland Entry	1
15	G3-036	Cable Gland M20	3

DO NOT SCALE DRAWING	
REVISION:	
DATE/ISSUE:	
BY:	
5664-23 Gains	
FRONT	
 <b>Floorex Products</b> <i>Commercial Refrigeration &amp; Cooling Systems</i>	
Description:	Beaver 300 Handle Section
Part Number:	
See Following Pages:	
SCALE: 1:1	
SHEET 1 OF 3	A3

# Beaver 300

## Parts List – Main Chassis Assembly

ITEM NO.	PartNo	DESCRIPTION	QTY.
1	BV-107	Bear Circlip For Rear Control Bearing	1
2	BV-106	Bear Rear Control Bearing	1
3	BV-001	Beaver 250/300 Main Chassis Frame	1
4	BV-068	Motor 4 Pole 1.5 KW Cap Run	1
5	BV-012	Beaver Plunger Lock Spring	1
6	BV-011	Beaver Plunger Lock Button	1
7	BV-010	Beaver Lock Pull Knob	1
8	See Following Pages	Beaver Main Crank Bearing	1
9	F3-300	M12 X 50 Hex Head Set Screw	6
10	BV-102	Beaver 300 Rubber Mount	8
11	BV-104	Beaver Front Bearing Lower	1
12	BV-105	Beaver Front Bearing	2
13	BV-101	Beaver 300 Striker Plate	1
14	BV-100	Beaver Control	1
15	BV-103	Beaver Front Bearing Upper	1
16	F3-250	M10 X 50 Socket Head Cap Screw	5



**Floorex Products**  
Concrete Preparation & Coating Systems

DO NOT SCALE DRAWING

REVISION:  
MATERIAL:  
WEIGHT:  
FINISH:

Description:  
Beaver 300 Main Chassis Assembly

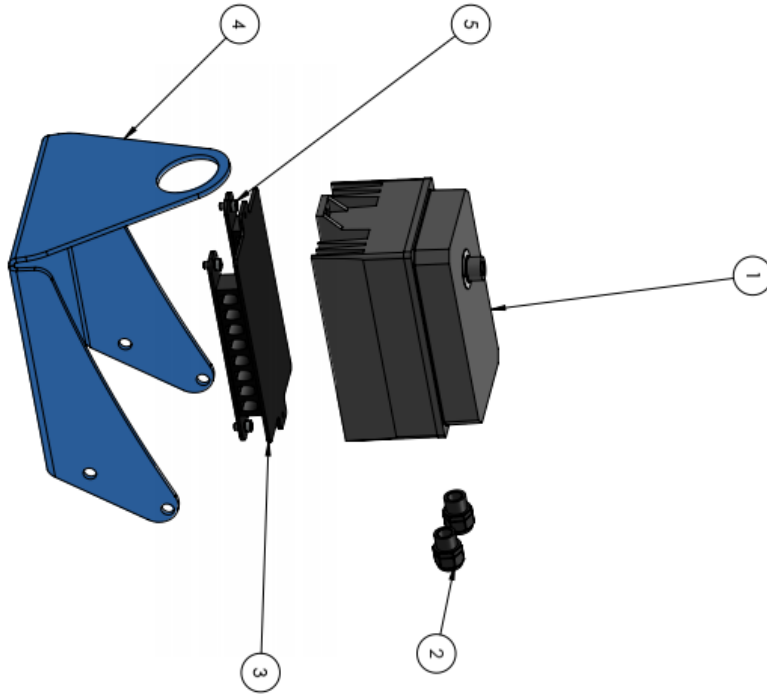
Part Number:  
See Following Pages

SCALE: 1:1


SHEET 1 OF 3

A3

# Beaver 300 Parts List – Inverter Cradle



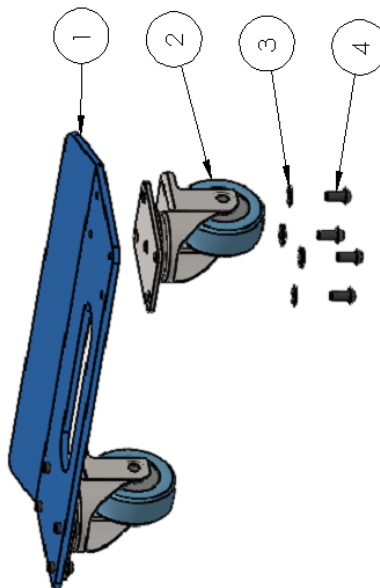
ITEM NO.	PartNo	DESCRIPTION	QTY.
1	BV-069	Beaver 300 KB Drive Unit	1
2	G3-036	Cable Gland M20	2
3	BV-014	Beaver 300 Inverter Rubber Mount	1
4	BV-013	Beaver 300 Inverter Cradle	1
5	F3-230	M6 X 10 Socket Head Cap Screw	4

DO NOT SCALE DRAWING	
REVISION: MATERIAL: WEIGHT: 7741.23 Grams FINISH:	 <p style="font-size: x-small; margin-top: 5px;">                     Description:                      Beaver 300 Inverter Cradle                      Part Number:                      See Following Pages                      SCALE: 1:1                 </p>
SHEET 1 OF 1	

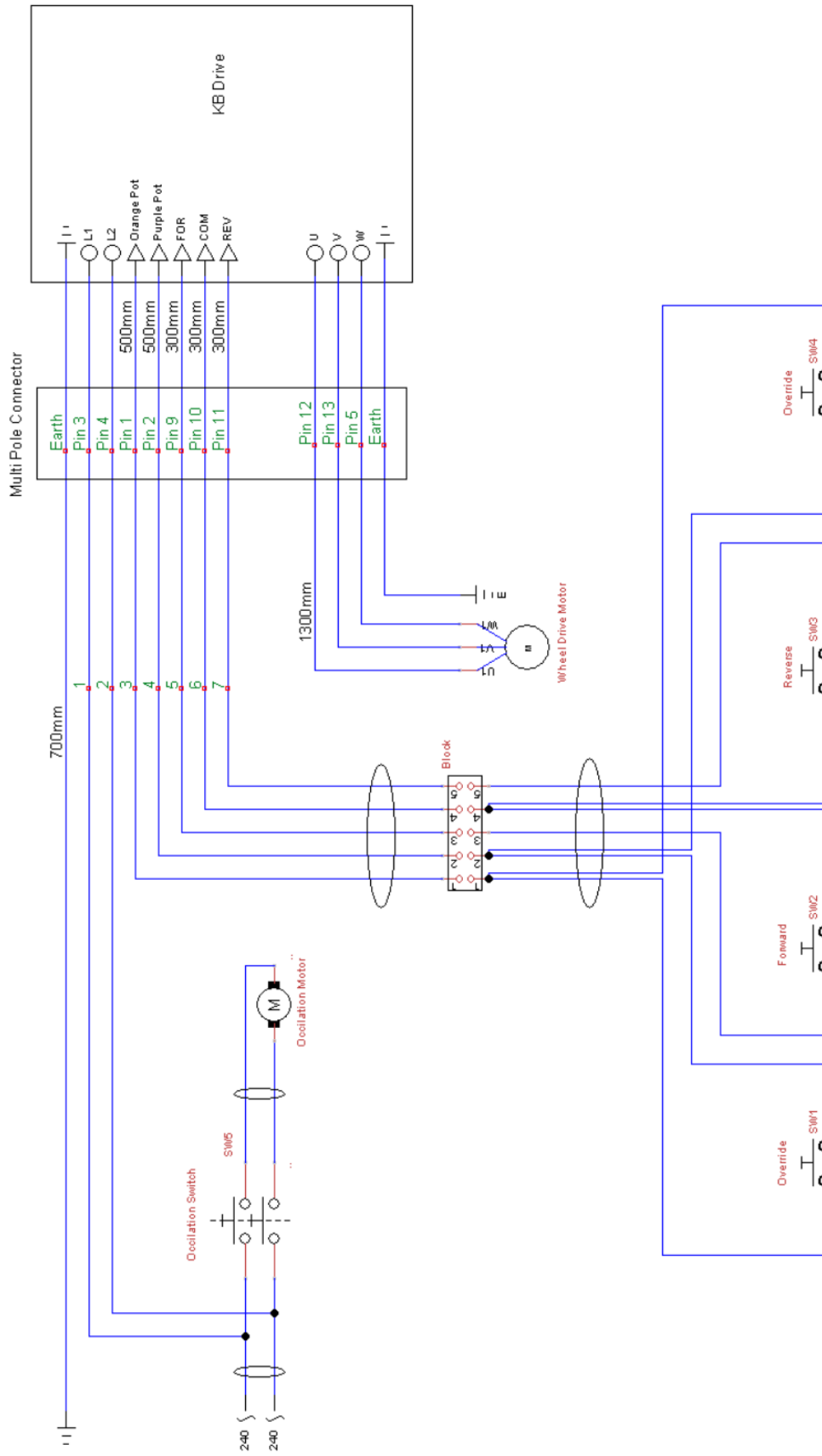
# Beaver 300

## Parts List - Transport Dolly

ITEM NO.	PartNo	DESCRIPTION	QTY.
1	BV-017	Beaver 300 Transport Wheel Dolly	1
2	RP 200212	75mm Castor	2
3	FS-331	M8 Standard Washer	8
4	FS-219	8 X 16 Button Head	8

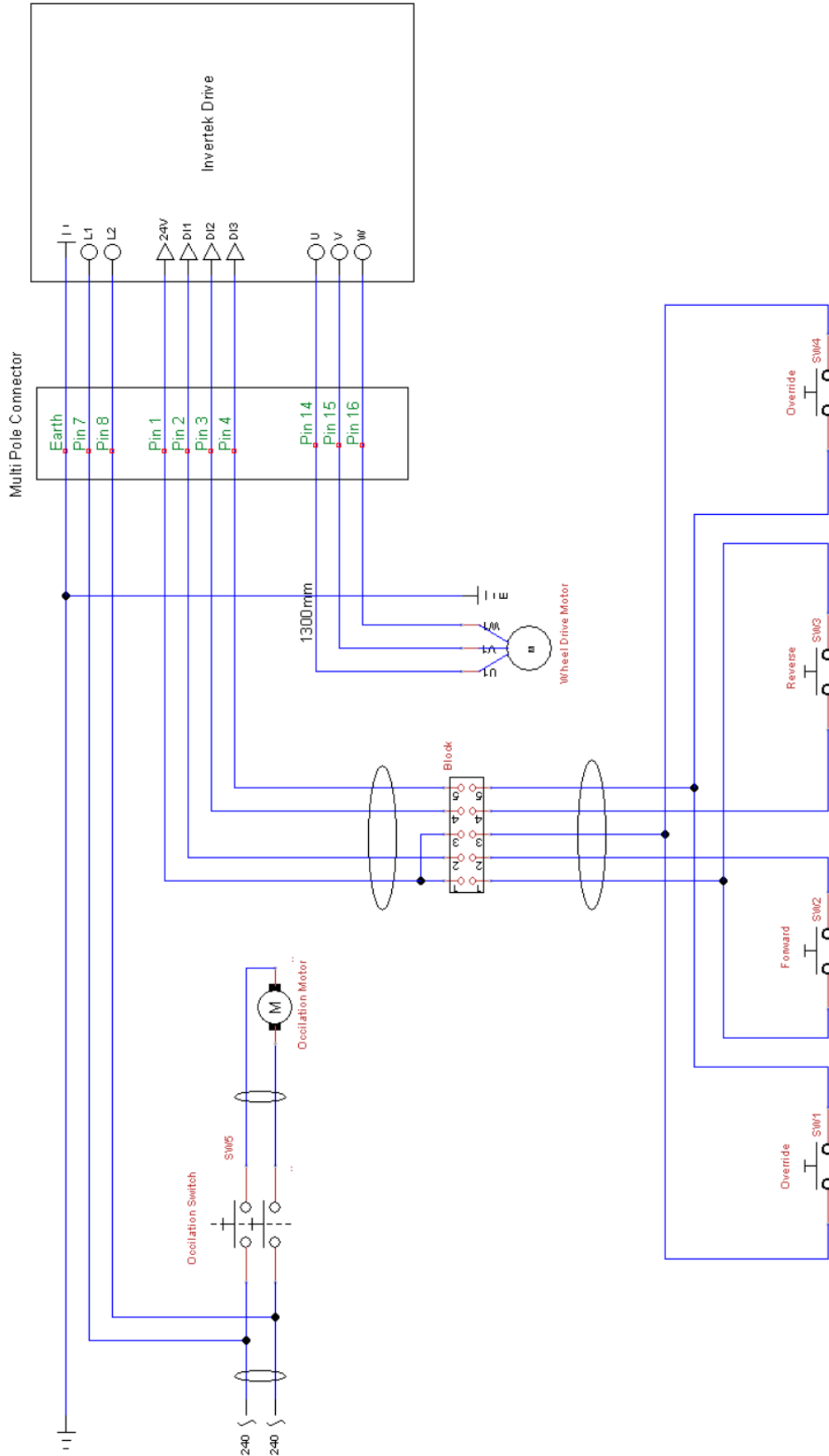


# Beaver 300 Wiring Diagram – KB Drive



# Beaver 300

## Wiring Diagram – Invertek Drive



# Beaver 300



## Beaver 300



### Floorex Products

Your complete supplier  
of all your concrete  
surface preparation  
needs

- Diamond grinders
- Dust extraction
- Shotblasters
- Screed mixers
- Diamonds
- Coating application
- Floor Scrapers

FLOOREX  
PRODUCTS  
156 Gray Street  
Swan Hill VIC.  
3585

Web: [www.floorex.com.au](http://www.floorex.com.au)  
Email: [sales@floorex.com.au](mailto:sales@floorex.com.au)